



LUX  
comb



**LED**  
3 to 1000W



**5**  
**YEARS**  
Warranty



**118**  
**lm/W**



CATALOG  
**LED**

A NEW MILESTONE IN TECHNOLOGY

LUXcomb

■ ■ LIGHT & LED SOLUTIONS



LUXCOMB supports you with your projects for the future...

**LUXCOMB is a manufacturer of HIGH QUALITY LED LIGHTING. We create lighting products with the best components available on have high volume production - this results in the best efficiency 118lm/W.**

We pride ourselves to work along two main business ideas :

*“Attention to detail”*  
*“Excellence in execution”*

LUXCOMB successful tenders : national hospitals, universities, drugstore chains, non-profit organizations in several countries...

Museums, schools, hospitals, all public buildings, stadiums, indoor and outdoor sports grounds, individual offices or open-spaces, car showrooms and car parks, exhibition halls and conference centres, supermarkets, retail stores, residential properties, private homes or public estates...

**LUXCOMB est un fabricant d'éclairage LED de haute qualité. Nous créons des produits d'éclairage avec les meilleurs composants disponibles ce qui nous de proposer des performances élevées de 118lm/W.**

Nous sommes fiers de travailler sur deux axes principaux :

*“L'importance de chaque détail”*

*“L'excellence dans la production”*

Des solides références : hôpitaux publics, universités, chaînes de magasins, organisations à but non lucratif...

Musées, écoles, hôpitaux, tous bâtiments recevant du public, terrains de sport (intérieur ou extérieur), parkings, salles de réunions, bureaux individuels ou open-space, magasins automobiles et salles d'exposition, halls d'exposition et salles de conférences, supermarchés, magasins de vente au public, habitation personnelle, HLM et résidences privées ou publiques...

# SUMMARY OF PRODUCTS

## COMMERCIAL AND INDUSTRIAL PRODUCTS

1000 - LED T8 Tubes . . . . .	<b>04</b>
1000 - LED D8 Tubes . . . . .	<b>06</b>
1100 - LED Panel. . . . .	<b>09</b>
1100 - LED Panel Modular configuration . . . . .	<b>13</b>
1100 - LED Panel GW6 UL-us . . . . .	<b>15</b>
Calculations and Estimations . . . . .	<b>17</b>
Options for control and variation . . . . .	<b>18</b>
1200 - LED Downlight . . . . .	<b>20</b>
1300 - Recessed LED Spot 9 to 54W . . . . .	<b>21</b>
1300 - Adjustable LED Spot 20 to 30W. . . . .	<b>24</b>
1400 - LED Ceiling Windsor . . . . .	<b>25</b>
1400 - Recessed Spot 3 in . . . . .	<b>26</b>
1500 - LED High Bay / LED High Bay Dali . . . . .	<b>27</b>
1500 - Recessed LED High Bay . . . . .	<b>32</b>

## OUTDOOR PRODUCTS

1900 - LED Floodlight portable 37 to 60W . . . . .	<b>36</b>
2100 - LED Floodlight 10 to 100W. . . . .	<b>37</b>
2200 - LED Floodlight 150 to 200W. . . . .	<b>39</b>
2304 - LED Floodlight 430W . . . . .	<b>40</b>

## DECORATIVE PRODUCTS

0000 - LED Bulbs E14 - E27 - B22 . . . . .	<b>42</b>
0300 - 360° LED Bulbs . . . . .	<b>44</b>
0300 - Directional LED bulbs . . . . .	<b>45</b>
0400 - LED Bulbs GU10/MR16 . . . . .	<b>46</b>
0700 - LED Strips . . . . .	<b>48</b>
0600 - Fixed recessed LED Spot 3W . . . . .	<b>49</b>

## OTHERS

Project and survey desk LUXCOMB . . . . .	<b>50</b>
Some references . . . . .	<b>51</b>

# LINES OF PRODUCTS

### PROFESSIONAL SERIES

**5 year warranty** - for Industrial and Governmental projects. Operating time up to 24 hours 7/7 days.

### PERFORMANCE SERIES

**3 year warranty** - for installations operating up 15 hours a day 5-6 days per week.

### OPTIMAE / DECO SERIES

**2 or 3 year warranty** - for installations operating 1-10 hours per day 7/7 days.

All product have an average lifespan of at least 7 years following the criteria defined in the specification of the product lines.

# LED T8 TUBE LUXCOMB

The Retrofit Range LUXCOMB LED T8 was designed to replace the existing fluorescent T8 tubes. T8 LED Tubes save more energy and are environmental friendlier. These tubes can be used in various indoor environments, as commercial and industrial applications.



LUXCOMB T8 LED Tubes have a unique specifically designed incorporated aluminum heatsink fin system ensuring optimal heat dissipation for a maximum Longevity.

Different cover options are available such as Frosted or Transparent. 180 degree rotational End caps allow the tube to be installed in any orientation within the luminaire offering excellent versatility.

Each LED tube is provided with a LED starter, to retrofit the tube into most traditional switch start luminaires without the need of modifying the existing wiring. In some circumstances including High Frequency ballasts, modification of the luminaire consisting of the removal of the ballast will be required to enable the LED tubes to operate correctly and efficiently.

Important Note: Use the provided LED Starter as LUXCOMB LED T8 Tubes operate with one side/single electrical input to avoid the risk of electrical shock during maintenance or change of LED tube.

# SPECIFICATIONS

- 5 years Warranty
- Power factor > 0.97
- Performance : 110 Lm/W\*
- LED Chip : SMD 140-160 Lm/w\*
- Lifetime : LM70 50 000 hours
- 180 degree rotational End caps
- Incorporated aluminum heatsink fins
- Resistant to shock and vibration
- Excellent energy saving
- Flicker free and instant full output lighting
- Operating temperature: -40 to 55 Degrees C
- Photometric data and full lighting design service available

\* Following the Ra and Colour of the Chip

## PROFESSIONAL SERIE transparent (leds are visible)

Model	Product number	Angle (degrees)	CCT (K)*	Ra	Power (W)	Lumen (Lm)	Weight (kg)	Dimensions (mm)
1010	SMLT8108450601T	120	4500	80+	9	1000	0,22	Ø 28x588
1011	SMLT8158450901T	120	4500	80+	14	1510	0,31	Ø 28x888
1012	SMLT8208451201T	120	4500	80+	18	1880	0,37	Ø 28x1198
1013	SMLT8258451501T	120	4500	80+	22	2400	0,45	Ø 28x1498
1014	SMLT8208451801T	120	4500	80+	27	3000	0,49	Ø 28x1763

## PROFESSIONAL SERIE Frosted (leds not visible)

Model	Product number	Angle (degrees)	CCT (K)*	Ra	Power (W)	Lumen (Lm)	Weight (kg)	Dimensions (mm)
1015	SMLT8108450601F	120	4500	80+	9	900	0,22	Ø 28x588
1016	SMLT8158450901F	120	4500	80+	14	1400	0,31	Ø 28x888
1017	SMLT8208451201F	120	4500	80+	18	1810	0,37	Ø 28x1198
1018	SMLT8258451501F	120	4500	80+	22	2240	0,45	Ø 28x1498
1019	SMLT8208451801F	120	4500	80+	27	2730	0,49	Ø 28x1763

## PERFORMANCE SERIE transparent (leds visibles)

Model	Product number	Angle (degrees)	CCT (K)*	Ra	Power (W)	Lumen (Lm)	Weight (kg)	Dimensions (mm)
1000	SMLT8108450600T	120	4500	80+	10	940	0,22	Ø 28x588
1001	SMLT8158450900T	120	4500	80+	15	1370	0,31	Ø 28x888
1002	SMLT8208451200T	120	4500	80+	20	1850	0,37	Ø 28x1198
1003	SMLT8258451500T	120	4500	80+	25	2300	0,45	Ø 28x1498
1004	SMLT8208451800T	120	4500	80+	30	2710	0,49	Ø 28x1763

## PERFORMANCE SERIE Frosted (leds not visible)

Model	Product number	Angle (degrees)	CCT (K)*	Ra	Power (W)	Lumen (Lm)	Weight (kg)	Dimensions (mm)
1005	SMLT8108450600F	120	4500	80+	10	840	0,22	Ø 28x588
1006	SMLT8158450900F	120	4500	80+	15	1250	0,31	Ø 28x888
1007	SMLT8208451200F	120	4500	80+	20	1670	0,37	Ø 28x1198
1008	SMLT8258451500F	120	4500	80+	25	2080	0,45	Ø 28x1498
1009	SMLT8208451800F	120	4500	80+	30	2490	0,49	Ø 28x1763

\* Colour Temperature range is available in 2700-6500K, for more details please contact us

# The new revolution of T8 industry



REPLACES



## LED D8 TUBE LUXCOMB ready to install



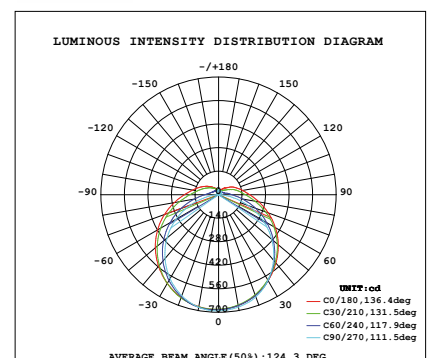
IP65 CONECCOMB™ - design by LUXCOMB



The LUXCOMB LED D8 Luminaire is a new concept that does not require an existing fitting. Safe and easy to implement to transform your T8 fluorescent lighting into efficient LED lighting simpler and more economical.

The ready to install LUXCOMB LED D8 is usually used in environments that require water-proof, dust-proof or corrosion-proof lighting. The ready to install LUXCOMB LED D8 can be installed either as surface mounted or suspended. Manufactured from aluminum extrusion and Polycarbonate diffuser to ensure that it can be used confidently in different environments.

The ready to install LUXCOMB LED D8 can be used in warehouses, car parks, shopping centres and shops, farms, factories, cold storage, train stations and underground, underground passages and tunnels as well as other places...



**D8 THE ELEGANCE OF LIGHTING AND AN DREAM FOR THE INSTALLER !**

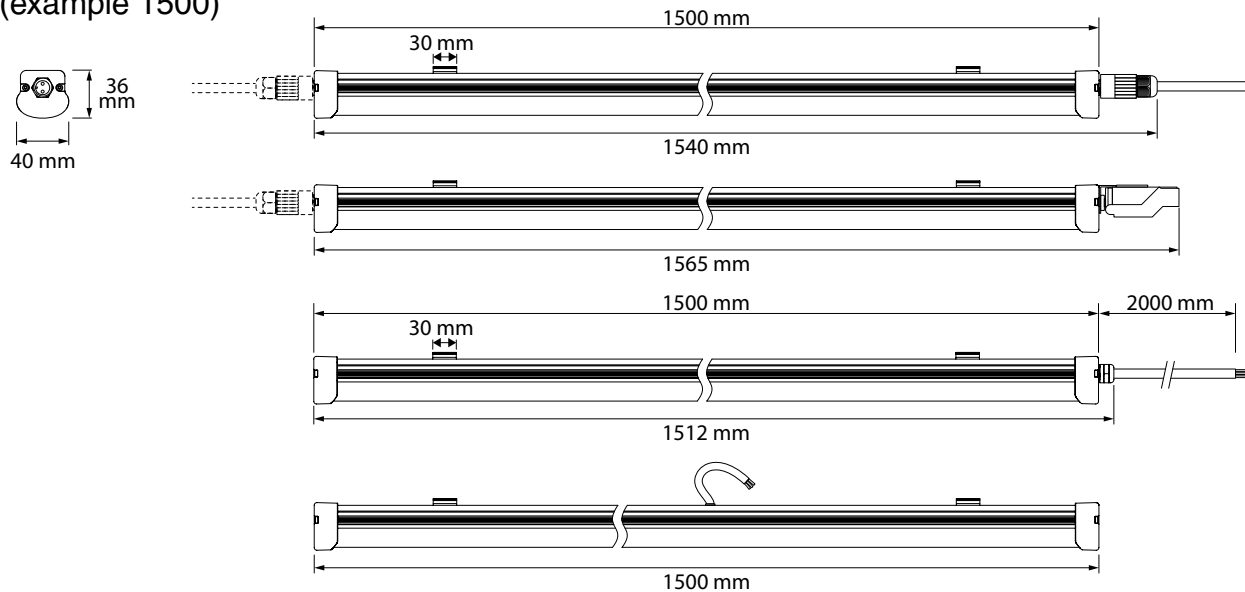
# SPECIFICATIONS

- Water-proof design without adhesive, so there is no water leakage caused by adhesive aging, convenient to disassemble.
- Light panel and PSU adopt modular design, connected via terminals, easy and convenient to maintain, no need of soldering.
- Energy saving and eco-friendly, no IR or UV, no mercury contamination, RoHS compliant.
- Aluminum profile + PC, high impact resistance, good waterproof and anti-aging performance.
- High transmittance PC cover transmit soft light + small power LEDs, high light efficiency, uniform light. No dark spots.
- High efficient heat dissipation, LEDs and power supply low temperature rise, high stability of continuous working.
- Can switch start frequently, no flicker and flare, good Colour rendering performance. Compact appearance, novel design style, easy to install and transport.
- 5 years Warranty
- IP65 - full silicone ring
- Power factor > 0.97
- Performance : 110 Lm/W\*
- LED Chip : SMD 140-160 Lm/w\*
- Lifetime : LM70 50 000 hours
- Incorporated aluminum heatsink fins
- Resistant to shock and vibration
- Excellent energy saving
- Flicker free and instant full output lighting
- Operating temperature: -40 to 55 Degrees C
- Photometric data and full lighting design service available

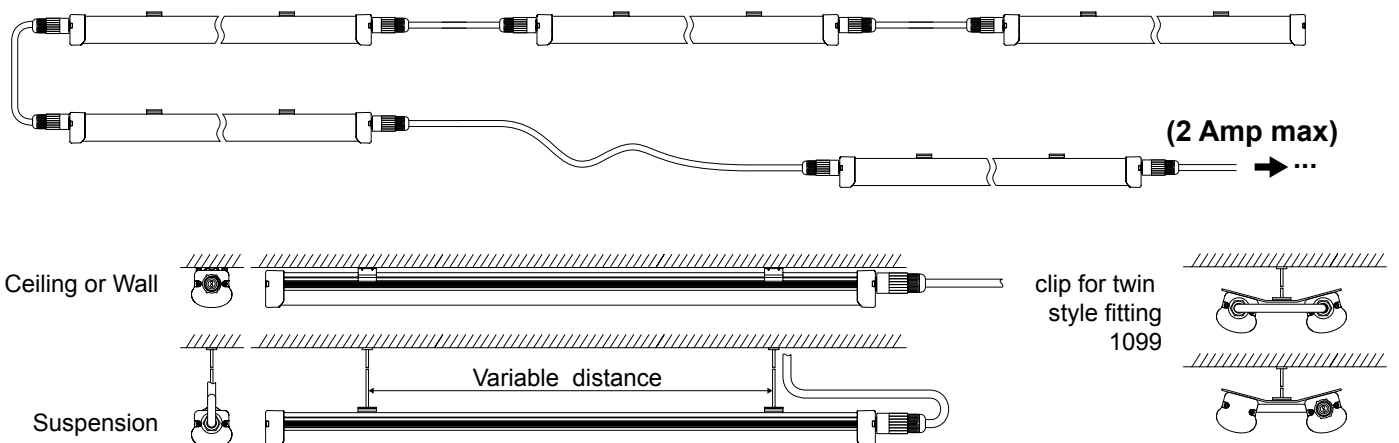
\* Following the Ra and Colour of the Chip

# DIMENSIONS

(example 1500)



# MOUNTING



## PROFESSIONAL SERIE - 1 CONNECTOR IP65 CONECCOMB™

Model	Product number	Angle (degrees)	CCT (K)*	Ra	Power (W)	Lumen (Lm)	Weight (kg)	Dimensions (mm)
1025	D825845600F-C0-00	120	4500	80+	10	1030	0,32	640x40x36
1027	D8258451200F-C0-00	120	4500	80+	20	2100	0,63	1240x40x36
1028	D8258451500F-C0-00	120	4500	80+	25	2650	0,78	1540x40x36
1029	D8308451500F-C0-00	120	4500	80+	30	3200	0,93	1540x40x36

## PROFESSIONAL SERIE - 2 CONNECTORS IP65 CONECCOMB™

Model	Product number	Angle (degrees)	CCT (K)*	Ra	Power (W)	Lumen (Lm)	Weight (kg)	Dimensions (mm)
1035	D825845600F-C0-C0	120	4500	80+	10	1030	0,34	680x40x36
1037	D8258451200F-C0-C0	120	4500	80+	20	2100	0,65	1280x40x36
1038	D8258451500F-C0-C0	120	4500	80+	25	2650	0,80	1580x40x36
1039	D8308451500F-C0-C0	120	4500	80+	30	3200	0,95	1580x40x36

## PROFESSIONAL SERIE - 1 QUICK CONNECTOR IP40

Model	Product number	Angle (degrees)	CCT (K)*	Ra	Power (W)	Lumen (Lm)	Weight (kg)	Dimensions (mm)
1045	D825845600F-Q0-00	120	4500	80+	10	1030	0,34	665x40x36
1047	D8258451200F-Q0-00	120	4500	80+	20	2100	0,65	1265x40x36
1048	D8258451500F-Q0-00	120	4500	80+	25	2650	0,80	1565x40x36
1049	D8308451500F-Q0-00	120	4500	80+	30	3200	0,95	1565x40x36

## PROFESSIONAL SERIE - 1 CABLE 2 METER

Model	Product number	Angle (degrees)	CCT (K)*	Ra	Power (W)	Lumen (Lm)	Weight (kg)	Dimensions (mm)
1055	D825845600F-W2-00	120	4500	80+	10	1030	0,36	612x40x36
1057	D8258451200F-W2-00	120	4500	80+	20	2100	0,67	1212x40x36
1058	D8258451500F-W2-00	120	4500	80+	25	2650	0,82	1512x40x36
1059	D8308451500F-W2-00	120	4500	80+	30	3200	0,97	1512x40x36

## PROFESSIONAL SERIE - CENTER REAR ENTRY CABLE

Model	Product number	Angle (degrees)	CCT (K)*	Ra	Power (W)	Lumen (Lm)	Weight (kg)	Dimensions (mm)
1065	D825845600F-0B-02	120	4500	80+	10	1030	0,32	600x40x36
1067	D8258451200F-0B-02	120	4500	80+	20	2100	0,63	1200x40x36
1068	D8258451500F-0B-02	120	4500	80+	25	2650	0,78	1500x40x36
1069	D8308451500F-0B-02	120	4500	80+	30	3250	0,93	1500x40x36

## ACCESSORY

Model	Product number	Description
1099	D8 - clip for twin	ATTACH for two D8 side by side
1098	D8 - kit suspension	KIT SUSPENSION for 1 D8

### Options :

- Consult us for serie D12 = D8 is available in 12VDC
- Antitheft Mounting Clip: If you need to install in area sensitive to vandalism or Security Problems, we have mounting clip that requires a specific tool to remove the D8 once it has been installed
- if for some projects you require a specific mounting clip please consult us, for example 1 minute additional install time on each fitting is 1 Week of man hours if you have a project installing 2100 fittings
- 1500mm-30W has been developed to replace a 1800 mm tube, the chips inside are placed to ensure optimal output
- Emergency version (E) available with an external driver

\* Colour Temperature range is available in 2700-6500K, for more details please contact us





## LUXCOMB research and Development

Headed by the French CEO, in August 2013, LUXCOMB decided to produce an extremely efficient range of LED panels, a superb energy saving solution that can be used worldwide proven by the relevant required certifications.

All these adjustments have been made in support of companies and clients who are environmental conscious and contribute to saving the planet by reducing the CO2 output.

LUXCOMB LED Panels are the perfect solution for excellent energy saving and reduced maintenance, providing true value for money without the compromise of light quality.

**Using the Professional series of LUXCOMB Panels create tasteful design in the environment where combining creativity with productivity becomes a pleasure !**

LUXCOMB LED Panels have an expected lifetime of up to 80,000 hours which means no more costly lamp replacement or disruption to the workplace due to ongoing maintenance of traditional lighting.

We offer an extensive range of lumen output and efficacy that covers all potential LUX level

requirements for most lighting designs. For example, we can achieve 300, 500, 600, 750 lux per square meter, without the need of altering the position of the LED panels. This is achieved by altering the output of the LED panels. By means of our professional design we can assure that the lighting levels meet any local guidelines and recommendations.

LUXCOMB LED Panels are ideal for offices, retail facilities, hotels, NHS trusts and educational Establishments.

**LUXCOMB PERFORMANCE SERIES  
LED Panel : the best Quality/Price  
solution for efficient light !**

The LUXCOMB LED Panel Performance Series is the perfect design for high efficiency light output where ceiling void depths are limited. With only 45 mm depth required, they can easily be installed in recessed ceiling systems. This new innovative Solution produces a very efficient high light output due to applied technology.

This new LED Panel Performance Series is suitable for the majority of applications (conference rooms, universities, classrooms, theatres, corridors and communal areas...)

With a lumen efficacy of 88 lm/w and a maximum power input of 45W the Performance range is more efficient than conventional side-emitting LED Panels.

# LUXCOMB LED PANELS



## SPECIFICATIONS

- Voltage : 85 to 265V AC
- Resistant to shock and vibration
- Excellent energy saving
- Flicker free and instant full output lighting

- Operating Temperature : -10 to 40 °C
- Photometric data and full lighting design service available

### SPECIFICATIONS

#### PROFESSIONAL

- 5 years warranty
- Power factor > 0.97
- Performance : 115-125 Lm/W\*
- LED Chip : SMD 140-160 Lm/w\*
- Lifetime : LM70 80 000 hours
- UL approval

**Optional :** FV-0 fire rated in accordance with UL94 and IEC60707  
\* Following the Ra and Colour of the Chip

### SPECIFICATIONS

#### PERFORMANCE

- 3/5 years warranty<sup>(1)</sup>
- Power factor > 0.90
- Performance : 87-93 Lm/W\*
- LED Chip : SMD 120-140 Lm/w\*
- Lifetime : LM70 70 000 hours

**Optional (1) :** 5 years warranty possible subject to usage application. Please consult your distributor.

## PROFESSIONAL SERIE 300X300

Model	Product number	Angle (degrees)	CCT (K)*	Ra	Power (W)	Lumen (Lm)	Weight net/gross (kg)
1130	PRO3-PW8-GW0-E1-0	160	4000	83	15	1520	0.60/1.60

## PROFESSIONAL 116x-PRO - SERIE 595X595 (T-beam spacing 600 mm)

Model	Panel + driver number	Angle (degrees)	CCT (K)*	Ra	Power (W)	Lumen (Lm)	Weight net/gross (kg)
1160	PRO6-PW8-GW0-E2-0	160	4000	83	27	3150	2.65/3.95
1161	PRO6-PW8-GW0-E3-0	160	4000	83	32	3650	2.65/3.95
1162	PRO6-PW8-GW0-D4-0	160	4000	83	36	4000	2.65/3.95
1163	PRO6-PW8-GW0-E4-0	160	4000	83	42	4650	2.65/3.95

## PROFESSIONAL 117x-PRO - SERIE 620X620 (T-beam spacing 625 mm)

Model	Panel + driver number	Angle (degrees)	CCT (K)*	Ra	Power (W)	Lumen (Lm)	Weight net/gross (kg)
1170	PRO6-PW8-GW7-E2-0	160	4000	83	22.5	2700	2.86/4.26
1171	PRO6-PW8-GW7-E3-0	160	4000	83	26.5	3250	2.86/4.26
1172	PRO6-PW8-GW7-D4-0	160	4000	83	30	3600	2.86/4.26
1173	PRO6-PW8-GW7-E4-0	160	4000	83	34	4150	2.86/4.26
1174	PRO6-PW8-GW7-E5-0	160	4000	83	42	4850	2.86/4.26

## PROFESSIONAL 118x-PRO - SERIE 625X625 (T-beam spacing 630 mm)

Model	Panel + driver number	Angle (degrees)	CCT (K)*	Ra	Power (W)	Lumen (Lm)	Weight net/gross (kg)
1180	PRO6-PW8-GW8-E2-0	160	4000	83	22.5	2700	2.91/4.34
1181	PRO6-PW8-GW8-E3-0	160	4000	83	26.5	3250	2.91/4.34
1182	PRO6-PW8-GW8-D4-0	160	4000	83	30	3600	2.91/4.34
1183	PRO6-PW8-GW8-E4-0	160	4000	83	34	4150	2.91/4.34
1184	PRO6-PW8-GW8-E5-0	160	4000	83	42	4850	2.91/4.34

## PROFESSIONAL 111x-PRO - SERIE 1200X300

Model	Panel + driver number	Angle (degrees)	CCT (K)*	Ra	Power (W)	Lumen (Lm)	Weight net/gross (kg)
1110	PRO1-PW8-GW0-E2-0	160	4000	83	29.5	3250	2.10/3.40
1111	PRO1-PW8-GW0-D4-0	160	4000	83	37	4000	2.10/3.40

## PROFESSIONAL SPECIAL SERIES (1270X270X12,1543X270X12,1825X270X12)

Model	Panel + driver number	Angle (degrees)	CCT (K)*	Ra	Power (W)	Lumen (Lm)	Weight net/gross (kg)
1121	SLIM-WH-1270x270	120	4000	95	36	2300	5.5/6
1122	SLIM-WH-1543x270	120	4000	95	36	2400	8/8.5
1123	SLIM-WH-1825x270	120	4000	95	45	3000	10/10.5

- Dimmable drivers available with 1-10V analog signal option for all models E2, E3, D4, E4

\* Colour Temperature range is available in 2700-6500K, for more details please contact us

## PERFORMANCE SERIE 300X300

Model	Panel + driver number	Angle (degrees)	CCT (K)*	Ra	Power (W)	Lumen (Lm)	Weight net/gross (kg)
1135	PER3-PW8-GW0-E1-0	160	4000	83	15	1200	0.56/1.55

## PERFORMANCE 116x-PER - SERIE 595X595 (T-beam spacing 600 mm)

Model	Panel + driver number	Angle (degrees)	CCT (K)*	Ra	Power (W)	Lumen (Lm)	Weight net/gross (kg)
1165	PER6-PW8-GW0-E3-0	160	4000	83	34	3000	2.55/3.85
1166	PER6-PW8-GW0-D4-0	160	4000	83	39	3400	2.55/3.85
1167	PER6-PW8-GW0-E4-0	160	4000	83	45	4000	2.55/3.85

## PERFORMANCE 117x-PER - SERIE 620X620 (T-beam spacing 625 mm)

Model	Panel + driver number	Angle (degrees)	CCT (K)*	Ra	Power (W)	Lumen (Lm)	Weight net/gross (kg)
1175	PER6-PW8-GW7-E3-0	160	4000	83	26.5	2560	2.86/4.26
1176	PER6-PW8-GW7-D4-0	160	4000	83	30	2850	2.86/4.26
1177	PER6-PW8-GW7-E4-0	160	4000	83	34	3250	2.86/4.26
1178	PER6-PW8-GW7-E5-0	160	4000	83	42	3850	2.86/4.26

## PERFORMANCE 118x-PER - SERIE 625X625 (T-beam spacing 630 mm)

Model	Panel + driver number	Angle (degrees)	CCT (K)*	Ra	Power (W)	Lumen (Lm)	Weight net/gross (kg)
1185	PER6-PW8-GW8-E3-0	160	4000	83	26.5	2560	2.91/4.34
1186	PER6-PW8-GW8-D4-0	160	4000	83	30	2850	2.91/4.34
1187	PER6-PW8-GW8-E4-0	160	4000	83	34	3250	2.91/4.34
1188	PER6-PW8-GW8-E5-0	160	4000	83	42	3850	2.91/4.34

## PERFORMANCE 111x-PER - SERIE 1200X300

Model	Panel + driver number	Angle (degrees)	CCT (K)*	Ra	Power (W)	Lumen (Lm)	Weight net/gross (kg)
1115	PER1-PW8-GW0-E3-0	160	4000	83	37	3000	2.00/3.30
1116	PER1-PW8-GW0-E4-0	160	4000	83	49	3400	2.00/3.30



- Drivers drive by with 1-10V analog signal option for all models E2, E3, D4, E4

\* Colour Temperature range is available in 2700-6500K, for more details please contact us

# LUXCOMB LED PANEL MODULAR CONFIGURATION



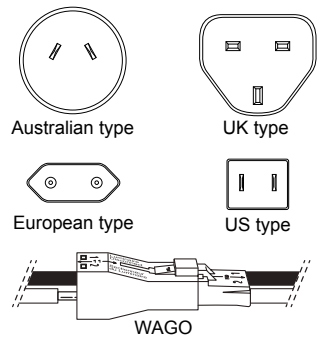
**1**

**STEP 1 CHOOSE**  
your **Panel**



**2**

**STEP 2 CHOOSE**  
your **LED Driver**



**3**

**STEP 3 CHOOSE**  
your **connection**

## PROFESSIONAL SERIE - DRIVERS

Model	Product number
7013	11xx-E2 PANEL DRIVER E2
7015	11xx-E3 PANEL DRIVER E3
7016	11xx-D4 PANEL DRIVER D4
7017	11xx-E4 PANEL DRIVER E4
7019	11xx-E5 PANEL DRIVER E5

With the LUXCOMB system, the lighting circuits can be installed with sockets. Then the false ceiling can be installed, during the installation of the ceiling tiles the drivers and LED panels can also be installed. The system LUXCOMB allows then installation safely without tools required to connect or disconnect a driver as quickly as 10 seconds.

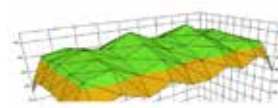


## PROFESSIONAL SERIE - CABLE

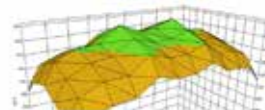
Model	Product number
7000	2 meters cable C7 - C-Europlug 7/16" CEE - Panel Driver
7001	2 meters cable C7 - A-NEMA 1-15" US - Panel Driver
7002	2 meters cable C7 - G-BS 1326-FUSE UK - Panel Driver
7003	2 meters cable C7 - I-AS 3112 AUS - Panel Driver
7004	2 meters cable C7 - WAGO INT - Panel Driver

**Optimized lighting made easy** : One panel throughout a facility and different outputs achieved by just changing the drivers:

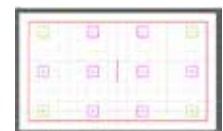
- This is the example when we installed driver E2 and D4 together we can obtain a the best uniformity of light on the workplane
- Here driver D4 is used at each corner of the room and the remaining drivers are E2
- If we use the same driver everywhere we would not achieve an optimal result



D4 and E2 mixed



Only E2 mixed



# LUXCOMB LED PANEL MODULAR EMERGENCY CONFIGURATION



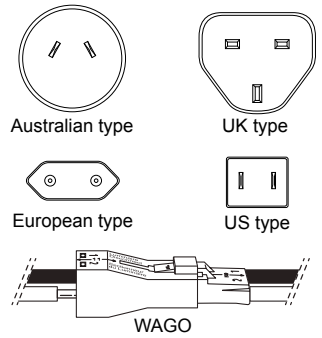
**1**

**STEP 1 CHOOSE**  
your **Panel**



**2**

**STEP 2 CHOOSE**  
your **EMERGENCY LED Driver**



**3**

**STEP 3 CHOOSE**  
your **connection**

## PROFESSIONAL SERIE - EMERGENCY DRIVERS

Model	Product number
7033	11xx-E2 PANEL DRIVER E2 - emergency
7035	11xx-E3 PANEL DRIVER E3 - emergency
7036	11xx-D4 PANEL DRIVER D4 - emergency
7037	11xx-E4 PANEL DRIVER E4 - emergency
7039	11xx-E5 PANEL DRIVER E5 - emergency

With the LUXCOMB system, the lighting circuits can be installed with sockets. Then the false ceiling can be installed, during the installation of the ceiling tiles the drivers and LED panels can also be installed. The system LUXCOMB allows then installation safely without tools required to connect or disconnect a driver as quickly as 10 seconds.



**Professional series cable**  
(see previous page)

## EMERGENCY DRIVERS SPECIFICATIONS

- Emergency Time: 180 mins
- Emergency Power: 8W
- Emergency charge: 20 hours
- Constant current driver + efficient boosting + constant current recharging
- Easy installation, simply plug-in
- High transforming efficiency
- Isolation safe design
- High power factor
- Reliable protection design in case of overload and overvoltage
- Smart automatization differs between standard lighting and emergency lighting
- This emergency lighting for all premises is comply with British Standard 5266: Part 1 and BS EN 1838.
- This emergency lighting is backed up by emergency power supply and is fed from an self-contained secondary battery.Excellent energy saving
- Connections between the secondary battery and the source of charging current should be such that in no circumstances should the battery discharge other than to the secondary lighting circuits.
- A rectifier for battery charging cannot discharge appreciably under normal conditions.
- In the event of power failure, the emergency lighting is activated within 0,5 seconds.
- This emergency lighting can allow meeting to continue ( we advice 1 emergency lighting for 4 standard driver for this function)

# LUXCOMB LED PANELS GW6

The serie GW6 – LED PANEL is a professional serie designed specifically for USA, CANADA and some countries of the Commonwealth of Nations. The size of this panel is linked to the standard 2ft x 2ft ceiling grid.

To be more flexible and follow the practice of the installer, we have designed this panel compatible with a large range of Drivers.

Our Recommendation is the Mean Well Driver, you can see in the table below results from various drivers.

The panel is dimmable and can also be associated with our emergency kit that can provide 350lm during 3 hours minimum



## PROFESSIONAL SERIE 603X603 (T-beam spacing 2ft)

Model	Product number	Angle (degrees)	CCT (K)*	Ra	Power (W)	Lumen (Lm)	Weight net/gross (kg)
1190	PRO6-PW8-GW6	160	4000	83	# (see below)	# (see below)	2.65/3.95
1191	PRO6-PW9-GW6	160	4000	90+	# (consult us)	# (consult us)	2.65/3.95

### LUXCOMB RECOMMEND DRIVERS: (see previous page)

Références	Lumen (Lm)	pf	Ra	Puissance (W)	lm/w	Année de Garantie
1190-E3	2700	0.97	83	23	117.3	5
1190-E4	3250	0.97	83	27	120.3	5
1190-E5	3600	0.97	83	30	120.0	5
1190-E6	4150	0.97	83	34	122.0	5
1190-E7	4850	0.97	83	42	115.4	5

### MEAN WELL UL LISTED LED DRIVER WITH CLASS II OUTPUT:

#### # THE PERFORMANCE OF GW6 PANEL WITH VARIOUS UL MEAN WELL DRIVERS

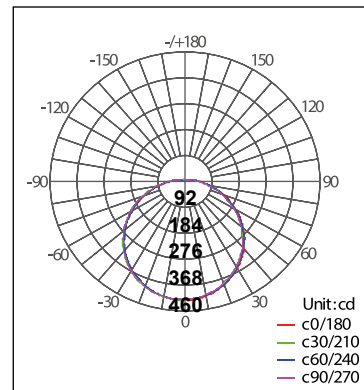
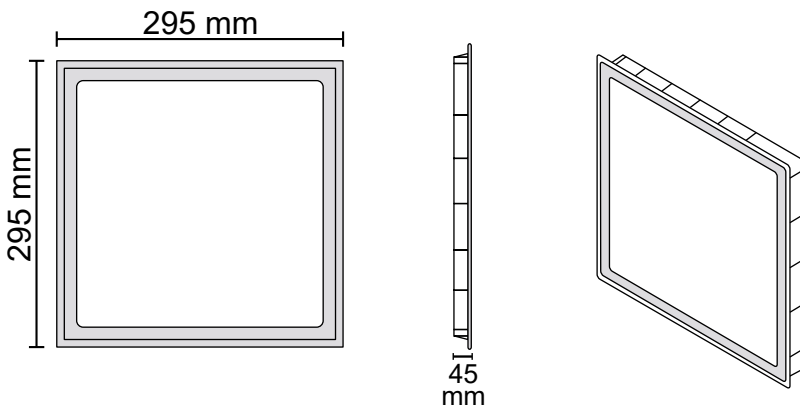


Product number	UL	Lumen (Lm)	pf	PFC stage	Power (W)	lm/w	Years Warranty
APC-25-700	C/US	2500	0.60	non-pfc	21	116.3	2
PLD-25-700	US	2550	0.90	single	21	120.3	3
LPC-35-1050	C/US	3700	0.59	non-pfc	32	114.2	2
APC-35-1050	C/US	3700	0.65	non-pfc	32	116.0	2
PLM-40-1050	C/US	3750	0.95	single	32	118.3	2
LPF-40-36	C/US	4000	0.96	single	34	118.7	5
LPF-40-30	C/US	4630	0.97	single	40	117.8	5
LCM-60DA (LI)	C/US	4750	0.89	single	44	108.4	3
PLM-40-1400	C/US	4750	0.96	single	43	110.7	2
LPF-60-36	C/US	5650	0.95	single	52	109.3	5

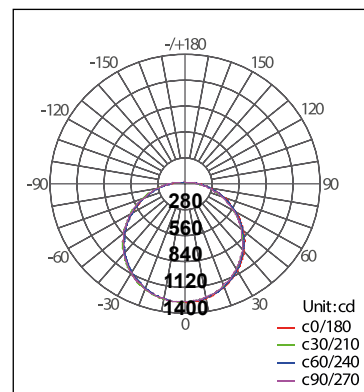
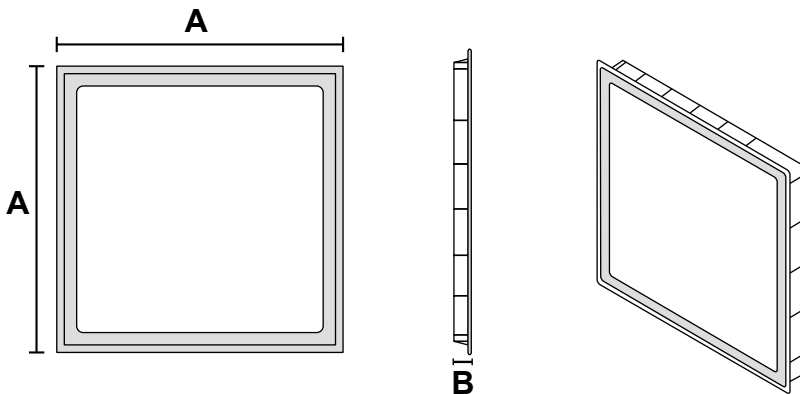
## DIMENSIONS OF PANEL (mm)

## PHOTOMETRIC DATA

### Panel 300x300mm

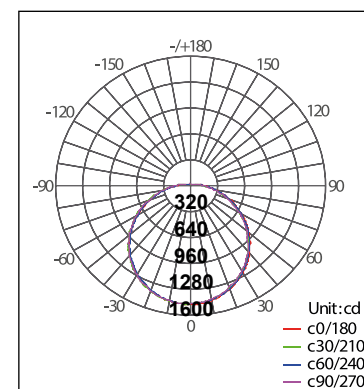
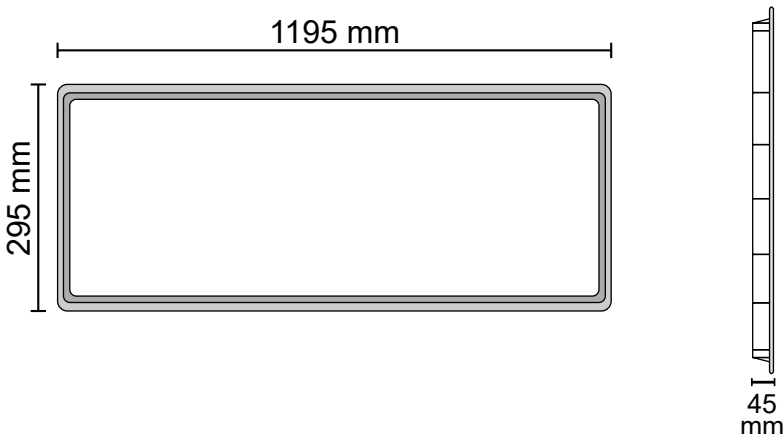


### Panel Standard



AxAxB	595x595x45 mm	603x603x53 mm	620x620x53 mm	625x625x53 mm
T-beam spacing	600x600 mm	2x2 ft	625x625 mm	630x630 mm
	standard metric (600mm)	standard anglo-saxon (2ft)	world	world

### Panel 300x1200mm







# LUXnoui Method

## a dedicated estimated tool

The Egyptian Pyramids and **the Light House of Alexandria** are just some of the many amazing and unprecedented monuments that were constructed without any modern technology but by observation and use of Nomograms. The LUXCOMB Chief Engineer is passionate about optimization and kick estimations. Therefore we offer the following estimation tool, which will answer the following question in less than a minute :

### “How many LED Panels do I need to install ?”

This tool will give you a quick and reliable estimation. No need for complicated drawings, designer teams or long waiting periods.

$$\text{Quantity of Panels LED} = \frac{\text{surface(m}^2\text{)}}{(\text{COEF-est} \times \text{COEFdimA} \times \text{COEFdimB} \times \text{COEFheight})}$$

Example:

A room that requires 500 LUX/m<sup>2</sup>. The room is 12m wide, 13m long, and has a ceiling height of 2.9m.

- COEF\_EST on the table 500lux for 4000 lumen : 5.86
- COEF\_dimA for the width 12m: 1.03
- COEF\_dimB for the width 13m: 1.03
- COEF\_height for the height 2.9M : in the table (here right) we have a Ceiling Height of 2.8m, we need to remove 2% by 5 cm :  $1 - (2.9-2.8/5) \times 2\% = 0.96$

(if the ceiling is 2.7M we need to add 2% by 5 centimeter and the COEF\_height will be 1.04)

$$\text{Quantity of Panels LED} = \frac{12 \times 13}{(5.86 \times 1.03 \times 1.03 \times 0.96)}$$

Taking the Dimensions of the room into consideration we will use  $5 \times 5 = 25$  panels (value included in 26.13 +/-12%).

With this estimation, the initial arrangements can be done and the site itself can be verified for other obstacles. Later a designer will verify and validate this estimation by also taking into consideration the reflection percentage of the walls and furniture in addition to other elements that could have an impact on the LUX measurement.

**The IES files are available for download on our website, for use with tools like Dialux, Relux... to enable professional lighting simulations.**

500 LUX		
lm	H(m)	COEF-EST
3000	2.50	4.24
4000	2.80	5.86
5000	3.05	7.42
6000	3.25	8.80

400 LUX		
lm	H(m)	COEF-EST
3000	2.75	5.57
4000	3.00	7.09
5000	3.25	8.79
6000	3.45	10.29

350 LUX		
lm	H(m)	COEF-EST
3000	2.85	6.16
4000	3.20	8.44
5000	3.45	10.29
6000	3.70	*

300 LUX		
lm	H(m)	COEF-EST
3000	3.00	7.09
4000	3.40	9.90
5000	3.65	*
6000	3.90	*

length A, length B of the room(m)	COEF <sub>dimA</sub> , COEF <sub>dimB</sub>
>15	1.00
between 9 and 15	1.03
between 6 and 9	1.05
between 3 and 6	1.07

# LUXCOMB takes you along in your projects

Our standard LED Panels are supplied with constant current drivers which have been developed specifically for the Professional and Performance LUXCOMB Series. This ensures high performance and covers 90% of all installers' primary requirements.

And to meet even more demanding needs we offer optional customer-specified drivers as well as advanced and innovative control solutions that allow huge savings by optimizing consumption based on motion detectors and daylight sensors.

## Control and variation options

### A - Option DALI

The DALI Driver (Digital Addressable Lighting Interface - IEC62386-101, 102, 207) allows for central automation management of lighting or BMS (Building Management System).

These are available in 2 Types :

#### A1

##### DALI Driver 1 to 1

Each panel gets its own DALI Driver connected to the centralized DALI management system as well as the network, thus also providing the user manual control to have control over the centralized programming.

#### A2

##### DALI Driver 1 to 2

The new DALI driver enables connecting two LED panels to the same DALI control module which simplifies programming and wiring. This driver arrangement is the ideal solution for simple installations at an affordable price point.

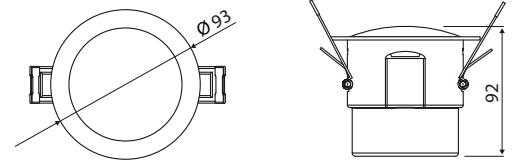
### B - Option 10V Analogue Dimming

The power to adjust the brightness to your own mood – and a perfect way to create ambiance. The “1-10V Dimming Driver Option” allows you to connect LUXCOMB panels to all types of 1-10V drivers and control the amount of light you want or need.

# LUXCOMB provides innovative automatic controllers

Motion detectors and photoelectrical cells allow you to turn the lights on and off automatically and vary the level of lighting according to the situation. This is ideal for certain specialized work environments and provides an added level of safety and security.

These systems may be combined and bundled to a manual device to allow the user override control of the dimming and on/off switching. This solution has also been found to reduce energy consumption by up to 60%.



## METHODS of detection

1 sensor can control up to 25 LED Panels and 4 different detection modes are available. The motion sensor can be installed on walls or recessed.

### C1

#### Motion Sensor DP01

The presence of a person in the light detection zone will turn on the LED panels connected to the detector. After detection, the panels will remain lit during for a selected period of time (5 seconds to 30 minutes).

### C2

#### Motion and Brightness Sensor - DP01L

The presence of a person in the light detection zone will turn on the LED panels connected to the detector **only if the brightness chosen (2-50 lux) is insufficient**. After the detection, the panels remain lit during a selected period of time (5 seconds to 30 minutes).

### C3

#### Motion Sensor with Standby Modus - DP02D

The presence of a person in the light detection zone will turn on the LED panels connected to the detector only if the brightness chosen (2-50 lux) is insufficient. After the detection, the panels are kept lit during a selected period of time (10 seconds to 30 minutes) to 100% power. Then after non-detection **of motion, LED panels remain lit for a selected standby period (1 to 60 minutes)**.

### C4

#### Motion Sensor with Automatic Standby Modus - DP03A

The presence of a person in the light detection zone will turn on the LED panels connected to the detector to **an automatically calculated level (10 to 100%)** to achieve the desired brightness (60 to 750Lux). After the detection, panels remain lit for a selected period of time (10 seconds to 30 minutes) and then remain lit for another standby period (0-60 minutes) at a selected level (10% to 50%).

# LUXCOMB LED Downlights

The 600x600 square LED panels are the ideal product for T15, T24 or T35 suspended ceilings. Because of their very light weight (6.9 kg/m<sup>2</sup>), the panels easily replace 600X600mm grid ceiling drop-in lighting. Moreover the panels can be installed very quickly as there is no need for tools.

To add to our success, we have now developed Recessed Ceiling “Downlights” that are specifically designed for small and narrow spaces with low ceilings where focused light points are needed. In general architects appreciate the finishing of the recessed ceiling lights as they are very suited for luxury shops.



**3<sup>(1)</sup>**  
**YEARS**  
WARRANTY

**LUXEON 3014 LUMILED** delivers superior lumen and lead to better Colour accuracy with no spottiness and uniformity. More information are available on the **Lumileds** website at [www.lumileds.com](http://www.lumileds.com)

**LUMILED**  
The Brighter Choice  
[www.lumileds.com](http://www.lumileds.com)

The Ultra-thin series ceiling lights have a perfect finishing and an exceptional light distribution due to 4 reflective films that enable a uniform diffusing of light.

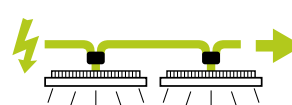
## PERFORMANCE SERIE

Model	Product number	Angle (degrees)	CCT (K)*	Ra	Power (W)	Lumen (Lm)	Ø Hole (mm)	Dimensions (mm)
1205	LD12840150	100	4000	80+	12	885	Ø 130	Ø 150 x 30
1206	LD18840175	100	4000	80+	18	1415	Ø 165	Ø 175 x 30
1207	LD18840210	100	4000	80+	18	1490	Ø 200	Ø 210 x 30
1208	LD24840210	100	4000	80+	24	1945	Ø 200	Ø 210 x 30
1209	LD30840245	100	4000	80+	30	2545	Ø 235	Ø 245 x 30

## PERFORMANCE SERIE - ULTRA-THIN

Model	Product number	Angle (degrees)	CCT (K)*	Ra	Power (W)	Lumen (Lm)	Ø Hole (mm)	Dimensions (mm)
1200	LD12840180	120	4000	80+	12	900	Ø 165	Ø 180 x 16
1201	LD18840240	120	4000	80+	19	1450	Ø 220	Ø 240 x 16
1202	LD11840240	120	4000	80+	9	775	Ø 220	Ø 240 x 16

Each Downlight is delivered with a disconnected connector LUMI-NUTS™. LUMI-NUTS™ luminaire disconnect combines the only 20A/600V line-side rating and daisy chaining capability (two conductors per pole) for class-leading installation flexibility. LUMI-NUTS™ is the only connector that can loop power from one disconnect to the next for quick and easy wiring of multiple drivers or multiple luminaires — eliminating additional splices, time and labor. (included 1.5 meters of cable.)



**SERIE INSTALLATION**  
**50 SECONDS**



\* Colour Temperature range is available in 2700-6500K, for more details please contact us  
(1) 5 years warranty possible subject to usage application. Please consult your distributor.





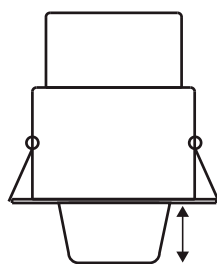
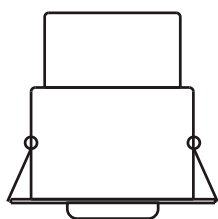
## LUXCOMB LED SPOTS

Striving on keeping pace with up-to-date challenges, LUXCOMB put all its skills to the test in creating a line dedicated to retail business. In order to give new life to retailer shops, we created a range of high performance spots with a unique and original design.

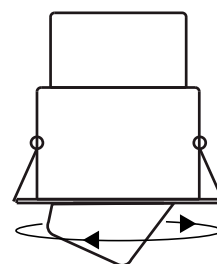
These spots ranging between 72 to 105 are designed in the same style which allows variation and great flexibility when composing the layout of a store, meeting both architectural constraints or respecting the initial structure.

Compared to initial AR111 installations, LUXCOMB solution gives you the opportunity of benefiting from your entire investment.

Unlike most adjustable light systems, the technical advantage of the LUXCOMB range 72 and 105 has adjustable orientation system as well and a 15mm elongation of the lamp head, which allows the light to be pointed in different directions without any loss of brightness.



Pull out the  
lamp head



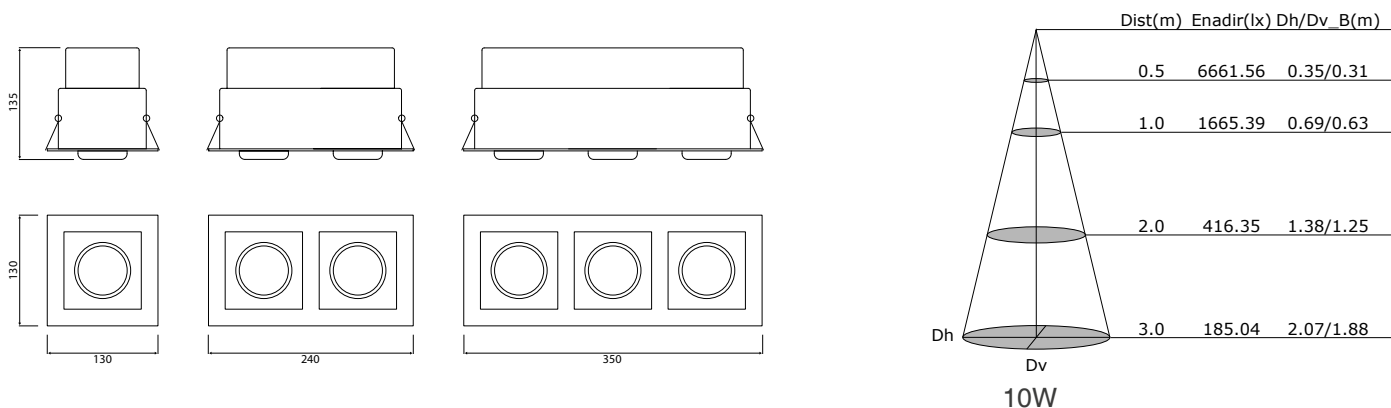
360° vertically  
adjustable

# LUXCOMB Range 72 recessed LED Spot

The recessed LED Spot **range 72** ideally replaces halogen **AR111-35W** reducing the power consumption per 4 spots of **1 kW** per operating day with a lifespan at least 10 times longer than the halogen Spots.



The recessed LED Spot range 72 is available with one to three light sources inside the structure. The Optics are individually extractable and adjustable providing total liberty of expression for the user.



## DECO SERIE 72 - 1 TO 3 SPOTS

Model	Product number	Spots	Angle (degrees)	CCT (K)*	Ra	Power (W)	Lumen (Lm)	Weight (kg)	Dimensions (mm)
1302	SPOT-WW8-IW0-010-060	1	63	2700	80+	10	600	0,75	130x130x135
1303	SPOT-WW8-IW0-020-060	2	63	2700	80+	20	1200	1,17	240x130x135
1304	SPOT-WW8-IW0-030-060	3	63	2700	80+	30	1800	1,60	350x130x135

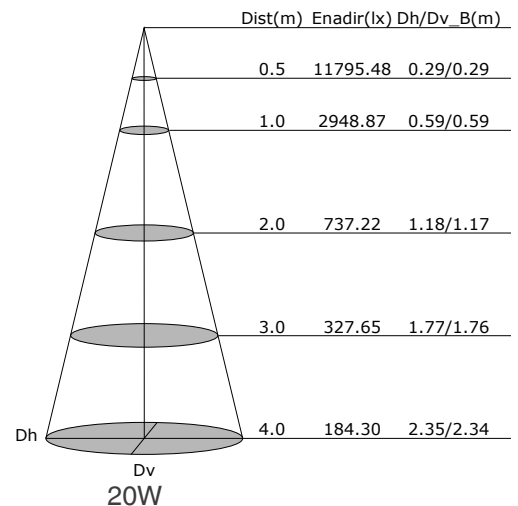
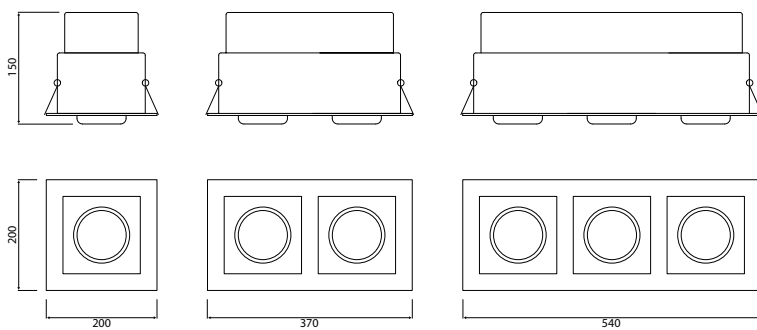
Professional Series RA 90 and 97 BRIDGELUX. Please contact us for more information.  
\* Colour Temperature range is available in 2700-6500K, for more details please contact us

# LUXCOMB Range 105 recessed LED Spot

The recessed LED Spot **range 105** ideally replaces halogen **AR111-70W** reducing the power consumption per 4 spots of **2 kW** per operating day with a lifespan at least 10 times longer than the halogen Spots.



The recessed LED Spot range 105 solution has the same characteristics as range 72 but more powerful output.



## DECO SERIE 105 - 1 TO 3 SPOTS

Model	Product number	Spots	Angle (degrees)	CCT (K)*	Ra	Power (W)	Lumen (Lm)	Weight (kg)	Dimensions (mm)
1305	SPOT-WW8-IW1-020-060	1	63	2700	80+	20	1200	1,14	200x200x150
1306	SPOT-WW8-IW1-040-060	2	63	2700	80+	40	2400	2,25	370x200x150
1307	SPOT-WW8-IW1-060-060	3	63	2700	80+	60	3600	3,25	540x200x150

Professional Series RA 90 and 97 BRIDGELUX. Please contact us for more information.  
\* Colour Temperature range is available in 2700-6500K, for more details please contact us

# LUXCOMB ADJUSTABLE LED Track Lights 20-30W

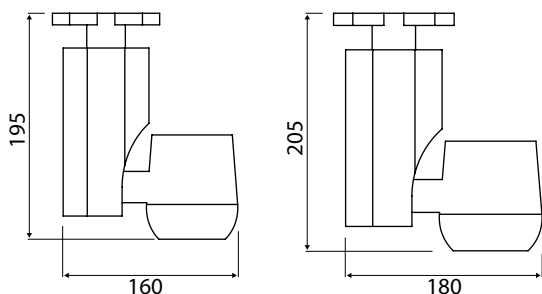
The **20W and 30W adjustable track lights** ideally replace all kind of **Halogen** solutions. With a saving of more than **1 Kw** per day per spot, you will certainly lower your electricity consumption and reduce the use of the air conditioning as well.



■ SPOT 20W

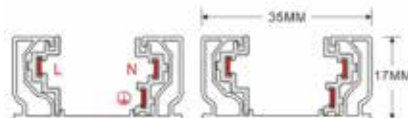
■ SPOT 30W

With a modern and stylish design, the LUXCOMB 20W and 30W adjustable track lights offer great flexibility of arrangement and illumination of specific areas. Often suspended on ceilings or recessed, this line's multiple use permits to enhance specific areas or items. In environments with high levels of luminosity needed eg.: commercial or exhibition areas, theatre halls, domestic and residential spaces these spots perfectly meet the challenge of providing directed intense light.



■ model 1310  
1 meter 3-pin track

■ model 1312  
2 meters 3-pin track



■ model 1313  
"I" connector



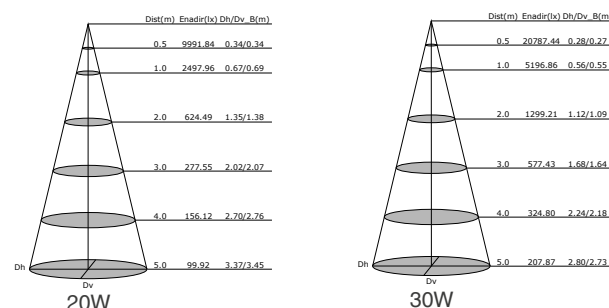
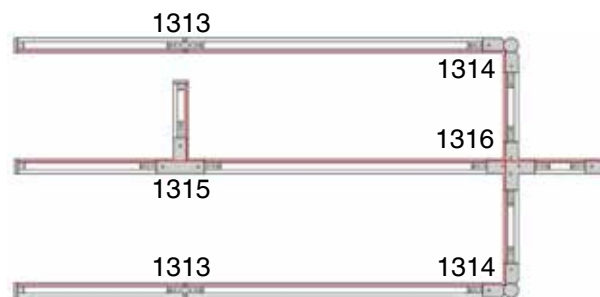
■ model 1314  
"L" connector



■ model 1315  
"T" connector



■ model 1316  
"+" connector



## DÉCO SERIE - 20 TO 30W

Model	Product number	Angle (degrees)	CCT (K)*	Ra	Power (W)	Lumen (Lm)	Weight (kg)	Dimensions (mm)
1300	TRAC-WW8-IW0-020-060	63	2700	80+	20	1250	0,8	195x160
1301	TRAC-WW8-IW0-030-060	63	2700	80+	30	2070	1,15	205x180

Professional Series RA 90 and 97 BRIDGELUX. Please contact us for more information.

\* Colour Temperature range is available in 2700-6500K, for more details please contact us



# LUXCOMB Windsor Ceiling LED

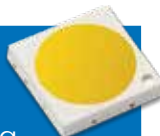
IP54 ceiling or wall mount lights are the ideal solution for humid areas, corridors, garages, workshops and many other places...

The **12W or 18W IP54 Windsor LED** decorative fitting consists of a white polycarbonate base, diffuser and bezel. Suited ideally to bathrooms, kitchens and communal areas where energy savings and aesthetics are particularly important. A Versatile Surface Mounted Luminaire able to both wall or ceiling mounted.

*Try it and you'll be convinced !*



**LUXEON 3030 2D LUMILED** is the first hot-color targeted mid power LED. Hot-color targeting ensures that the LEDs are within color target at application conditions - 85°C. More information are available on the **Lumileds** website at [www.lumileds.com](http://www.lumileds.com)



[www.lumileds.com](http://www.lumileds.com)



**IP54**

## PROFESSIONAL SERIE - CEILING / WALL 12W OR 18W IP54

Model	Product number	Angle (degrees)	CCT (K)	Ra	Power (W)	Lumen (Lm)	Dimensions (mm)
1412	SMLW122D	165	5000	80+	12	1050	Ø 320x90
1433	SMLW122D-E *	165	5000	80+	12	1050	Ø 320x90
1434	SMLW122D-S *	165	5000	80+	12+1	1050	Ø 320x90
1435	SMLW122D-X *	165	5000	80+	12+1	1050	Ø 320x90
1418	SMLW182D	165	5000	80+	18	1520	Ø 320x90
1443	SMLW182D-E *	165	5000	80+	18	1520	Ø 320x90
1444	SMLW182D-S *	165	5000	80+	18+1	1520	Ø 320x90
1445	SMLW182D-X *	165	5000	80+	18+1	1520	Ø 320x90
1413	SMLW132D (2013-2015 version)	165	5000	80+	13	1050	Ø 320x90
1420	SMLW202D (2013-2015 version)	165	5000	80+	20	1520	Ø 320x90

\* **E** : **Emergency** version (three hour duration minimum 150 lm) - **S** : **Motion Sensor** version (Sensor, the sensor has is a supplementary consumption of 1W standby/operation) - **X** : **E + S**

### OPTIONAL IP65 FIXING KIT

Model 1403



### QUICK CONNECTOR

Wherever you're are Europe, in the USA, in Asia - the new 294 module from WAGO offers a wide cross section range at the mains end, enabling it to be perfectly suited for use in America as well as in Japan. The Cross section range: 0.5 to 2.5 mm<sup>2</sup> (AWG: 18 to 12, Japan: 0.8 to 2.0 mm). The CAGE CLAMP®S connection allow solid, stranded and fine-stranded conductors (no preparation necessary).



# LUXCOMB the 3 in 1 Solution

## Our Bestseller !



**3/5**  
YEARS  
WARRANTY

**IPX-4**



See the installation video on [www.LUXCOMB.com](http://www.LUXCOMB.com)

Installers particularly recommend this product for fast and easy installation in both new and renovation projects.

1. Recessed small down-light (Ø 80 x 110 mm), fire rated. Available in three Colours: White, Chrome and Satin metal.
2. High performance Gu10 Spot (A++ : 510lm - 5W - 2700K - 60 degree beam angle), included and assembled in the small down-light.
3. Quick-clip connector, no tools are needed to make the electrical connections.

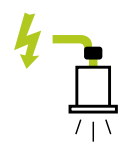
**WHITE**



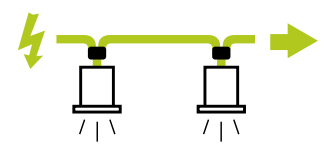
**SATIN**



**CHROME**



**SINGLE INSTALLATION**  
**25 SECONDS**



**SERIES INSTALLATION**  
**50 SECONDS**

Compared with a competing model, the time saved during installation was estimated at 2 hours for a renovation project requiring 30 small down-lights.

Thanks to our LUXCOMB has developed many other products and applications as well as OEM and ODM customer-specific designs. Discover the whole LUXCOMB product range on our website.

### SPOT 3 in 1 SERIE

Model	Product number	Colour body	Angle (degrees)	CCT (K)*	Ra	Power (W)	Lumen (Lm)	Dimensions (mm)
1453	FGU1-005-60-WW-HW0-2	white	60	2700	80+	5	510	Ø 80x110
1454	FGU1-005-60-WW-HC0-2	chrome	60	2700	80+	5	510	Ø 80x110
1455	FGU1-005-60-WW-HS0-2	satin	60	2700	80+	5	510	Ø 80x110

## LED HIGH BAY RANGE

The LED High Bay range has been designed to replace a wide variety of conventional commercial and industrial luminaires.

Constructed of high purity Aluminium casing and a spun polished reflector manufactured to an IP65 rating, allowing the luminaire to be used in both harsh internal and external environments.

bridgelux®



IP RATED ENCLOSURE with optional emergency backup version available (please contact us for more details)



## SPECIFICATIONS

- 3 to 5 year warranty
- Bridgelux COB LED high performance
- Meanwell HLG-240H Driver Series with up to 94% efficiency
- IP65 rated enclosure
- Lifetime : LM70 50 000 hours
- Available with optional silver or black heatsink
- Voltage : 85 to 265V AC
- Resistant to shock and vibration
- Excellent energy saving
- Flicker free and instant full output lighting
- Operating temperature : -40 to 55 °C
- Photometric data and full lighting design service available

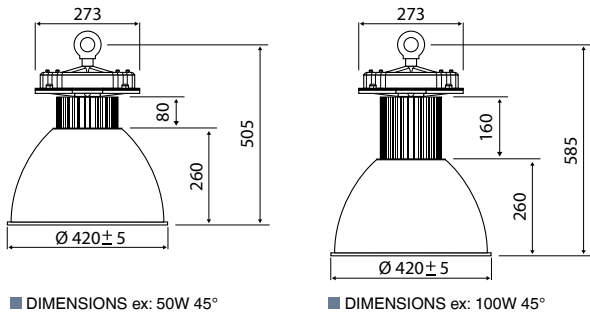
The High Power Bridgelux COB LED light engine and cutting edge Meanwell driver technology gives an expected lifetime of 50,000 hours ensuring the luminaire is virtually maintenance free. The luminaire's design makes it ideal for use in warehousing, cold storage areas, tunnels and general lighting areas.

The High Bay range can be easily used in conjunction with lighting controls to further reduce energy consumption. Dimmable options are available, these can be incorporated into stand alone dimmable systems or automated daylight control systems. Also available with various beam angle options allowing excellent versatility for any required application.

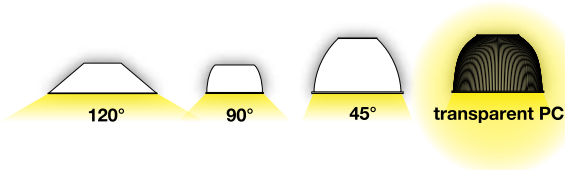
# LUXCOMB LED HIGH BAY 50-100W

**5**  
YEARS  
WARRANTY

**3<sup>(1)</sup>**  
YEARS  
WARRANTY



**IP65**



## PROFESSIONAL SERIE 50W

Model	Product number	Angle (degrees)	CCT (K)*	Ra	Power (W)	Lumen (Lm)	Weight (kg)	Dimensions (mm)
1501A	SMLHB5184045	45	4000	75+	50	5320	4,20	Ø 420x505
1501B	SMLHB5184090	90	4000	75+	50	5320	3,88	Ø 280x380
1501C	SMLHB51840120	120	4000	75+	50	5320	4,22	Ø 500x390
1501D	SMLHB51840PC	PC	4000	75+	50	5320	4,61	Ø 410x515

## PROFESSIONAL SERIE 100W

Model	Product number	Angle (degrees)	CCT (K)*	Ra	Power (W)	Lumen (Lm)	Weight (kg)	Dimensions (mm)
1511A	SMLHB10184045	45	4000	75+	100	10640	6,74	Ø 420x585
1511B	SMLHB10184090	90	4000	75+	100	10640	6,42	Ø 280x460
1511C	SMLHB101840120	120	4000	75+	100	10640	6,76	Ø 500x470
1511D	SMLHB101840PC	PC	4000	75+	100	10640	7,15	Ø 410x595

## PERFORMANCE SERIE 50W

Model	Product number	Angle (degrees)	CCT (K)*	Ra	Power (W)	Lumen (Lm)	Weight (kg)	Dimensions (mm)
1500A	SMLHB5084045	45	4000	75+	50	4000	4,20	Ø 420x505
1500B	SMLHB5084090	90	4000	75+	50	4000	3,88	Ø 280x380
1500C	SMLHB50840120	120	4000	75+	50	4000	4,22	Ø 500x390
1500D	SMLHB50840PC	PC	4000	75+	50	4000	4,61	Ø 410x515

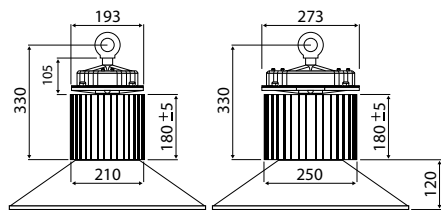
## PERFORMANCE SERIE 100W

Model	Product number	Angle (degrees)	CCT (K)*	Ra	Power (W)	Lumen (Lm)	Weight (kg)	Dimensions (mm)
1510A	SMLHB10084045	45	4000	75+	100	8000	6,74	Ø 420x585
1510B	SMLHB10084090	90	4000	75+	100	8000	6,42	Ø 280x460
1510C	SMLHB100840120	120	4000	75+	100	8000	6,76	Ø 500x390
1510D	SMLHB100840PC	PC	4000	75+	100	8000	7,15	Ø 410x595

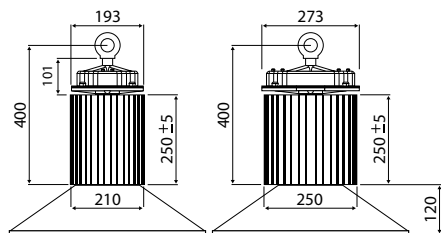
# LUXCOMB LED HIGH BAY 150-200W

**5**  
YEARS  
WARRANTY

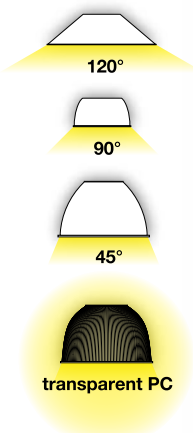
**3<sup>(1)</sup>**  
YEARS  
WARRANTY



■ DIMENSIONS ex: 150W 120°



■ DIMENSIONS ex: 200W 120°



## PROFESSIONAL SERIE 150W

Model	Product number	Angle (degrees)	CCT (K)*	Ra	Power (W)	Lumen (Lm)	Weight (kg)	Dimensions (mm)
1521A	SMLHB15184045	45	4000	75+	150	18000	9,38	Ø 420x605
1521B	SMLHB15184090	90	4000	75+	150	18000	9,06	Ø 280x480
1521C	SMLHB151840120	120	4000	75+	150	18000	9,40	Ø 500x490
1521D	SMLHB151840PC	PC	4000	75+	150	18000	9,79	Ø 410x615

## PROFESSIONAL SERIE 200W

Model	Product number	Angle (degrees)	CCT (K)*	Ra	Power (W)	Lumen (Lm)	Weight (kg)	Dimensions (mm)
1531A	SMLHB20184045	45	4000	75+	200	24000	11,66	Ø 420x675
1531B	SMLHB20184090	90	4000	75+	200	24000	11,34	Ø 280x550
1531C	SMLHB201840120	120	4000	75+	200	24000	11,68	Ø 500x560
1531D	SMLHB201840PC	PC	4000	75+	200	24000	12,07	Ø 410x685

## PERFORMANCE SERIE 150W

Model	Product number	Angle (degrees)	CCT (K)*	Ra	Power (W)	Lumen (Lm)	Weight (kg)	Dimensions (mm)
1520A	SMLHB15084045	45	4000	75+	150	13500	9,38	Ø 420x605
1520B	SMLHB15084090	90	4000	75+	150	13500	9,06	Ø 280x480
1520C	SMLHB150840120	120	4000	75+	150	13500	9,40	Ø 500x490
1520D	SMLHB150840PC	PC	4000	75+	150	13500	9,79	Ø 410x615

## PERFORMANCE SERIE 200W

Model	Product number	Angle (degrees)	CCT (K)*	Ra	Power (W)	Lumen (Lm)	Weight (kg)	Dimensions (mm)
1530A	SMLHB20084045	45	4000	75+	200	18000	11,66	Ø 420x675
1530B	SMLHB20084090	90	4000	75+	200	18000	11,34	Ø 280x550
1530C	SMLHB200840120	120	4000	75+	200	18000	11,68	Ø 500x560
1530D	SMLHB200840PC	PC	4000	75+	200	18000	12,07	Ø 410x685

# LUXCOMB LED HIGH BAY DALI 50-200W

**5**  
YEARS  
WARRANTY



**IP65**

**DALI** (Digital Addressable Lighting Interface) :

Professional interface for high-end management of light for your Bay High of 50 to 200w professional series.



## PROFESSIONAL SERIE 50W

Model	Product number	Angle (degrees)	CCT (K)*	Ra	Power (W)	Lumen (Lm)	Weight (kg)	Dimensions (mm)
1503A	SMLHB5384045	45	4000	75+	50	5320	4,20	Ø 420x505
1503B	SMLHB5384090	90	4000	75+	50	5320	3,88	Ø 280x380
1503C	SMLHB53840120	120	4000	75+	50	5320	4,22	Ø 500x390
1503D	SMLHB53840PC	PC	4000	75+	50	5320	4,61	Ø 410x515

## PROFESSIONAL SERIE 100W

Model	Product number	Angle (degrees)	CCT (K)*	Ra	Power (W)	Lumen (Lm)	Weight (kg)	Dimensions (mm)
1513A	SMLHB10384045	45	4000	75+	100	10640	6,74	Ø 420x585
1513B	SMLHB10384090	90	4000	75+	100	10640	6,42	Ø 280x460
1513C	SMLHB103840120	120	4000	75+	100	10640	6,76	Ø 500x470
1513D	SMLHB103840PC	PC	4000	75+	100	10640	7,15	Ø 410x595

## PROFESSIONAL SERIE 150W

Model	Product number	Angle (degrees)	CCT (K)*	Ra	Power (W)	Lumen (Lm)	Weight (kg)	Dimensions (mm)
1523A	SMLHB15384045	45	4000	75+	150	18000	9,38	Ø 420x605
1523B	SMLHB15384090	90	4000	75+	150	18000	9,06	Ø 280x480
1523C	SMLHB153840120	120	4000	75+	150	18000	9,40	Ø 500x490
1523D	SMLHB153840PC	PC	4000	75+	150	18000	9,79	Ø 410x615

## PROFESSIONAL SERIE 200W

Model	Product number	Angle (degrees)	CCT (K)*	Ra	Power (W)	Lumen (Lm)	Weight (kg)	Dimensions (mm)
1533A	SMLHB20384045	45	4000	75+	200	24000	11,66	Ø 420x675
1533B	SMLHB20384090	90	4000	75+	200	24000	11,34	Ø 280x550
1533C	SMLHB203840120	120	4000	75+	200	24000	11,68	Ø 500x560
1533D	SMLHB203840PC	PC	4000	75+	200	24000	12,07	Ø 410x685

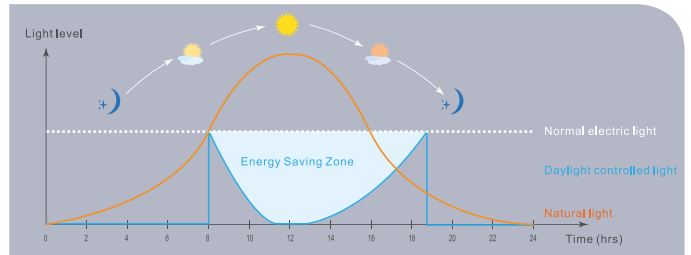


■ BLACK HEATSINK

■ SILVER HEATSINK



TRANSPARENT PC



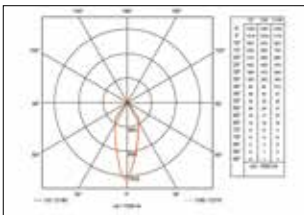
Option followed by brightness (view : options for control and variation)

■ LED High Bay 50W

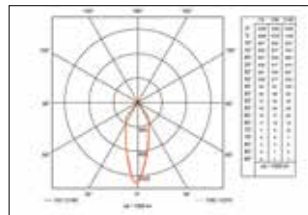
■ LED High Bay 100W

■ LED High Bay 150W

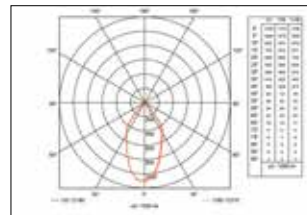
■ LED High Bay 200W



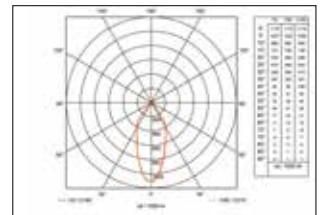
50W 45°



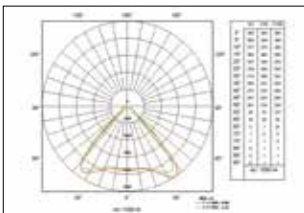
100W 45°



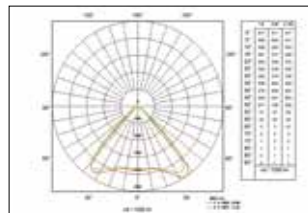
150W 45°



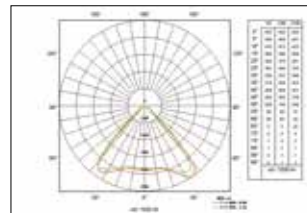
200W 45°



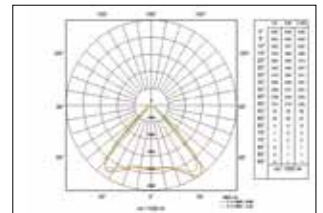
50W 90°



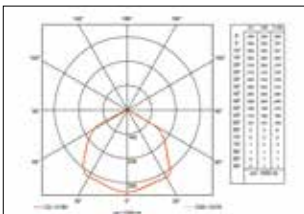
100W 90°



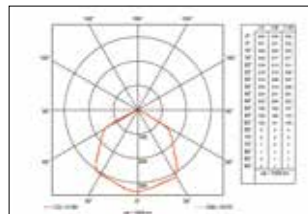
150W 90°



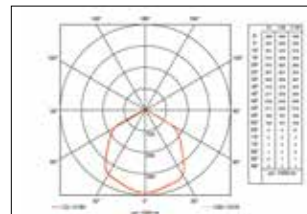
200W 90°



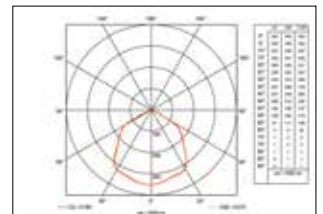
50W 120°



100W 120°



150W 120°



200W 120°



bridgelux®

CE

RoHS  
COMPLIANT

5  
YEARS  
WARRANTY

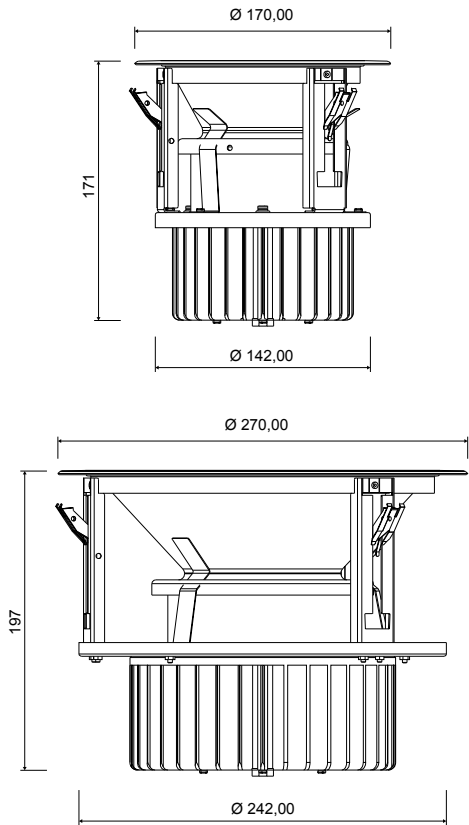
## LUXCOMB recessed LED HIGH BAY 60-100W

Recessed High Bays 60W-169mm and 100W-270mm is designed to replace the 150W and 250W metal halide or HID downlight, the superior COB solution and pure aluminum heat sink enables the lumen efficacy higher to 90-95LM/W with excellent thermal management in one-piece structure by cold-forging technology.

### SPECIFICATIONS

- 5 year warranty
- Excellent thermal management available
- Bridgelux COB technology LED high performance
- Meanwell driver CEN-100
- Power factor > 0.95
- Performance COB : 120 Lm/W
- Ra 80 and 90 possible
- IP44 rated enclosure
- Lifetime : LM70 40 000 hours
- Beam Angle 60 degree
- Anti-glare design, low UGR
- Voltage : 90 to 295V AC
- Resistant to shock and vibration
- Excellent energy saving
- Flicker free and instant full output lighting
- Recessed, fixation by means of steel fasteners
- Photometric data and full lighting design service available





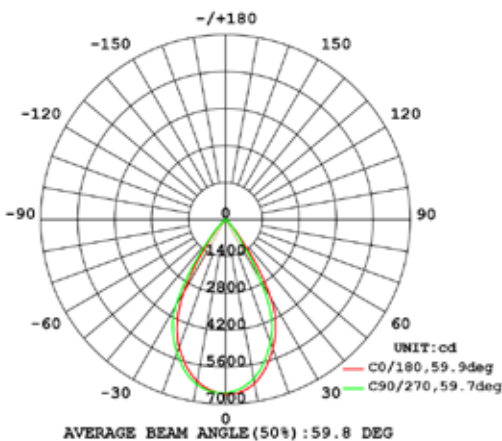
## PROFESSIONAL SERIE 60W

Model	Product number	Angle (degrees)	CCT (K)*	Ra	Power (W)	Lumen (Lm)	Weight (kg)	Ø Hole (mm)	Dimensions (mm)
1561	HB recessed - 60W 8 30	60	3000	80+	60	5350	1.6	Ø 150	Ø 170 x 175
1562	HB recessed - 60W 8 40	60	4000	80+	60	5600	1.6	Ø 150	Ø 170 x 175

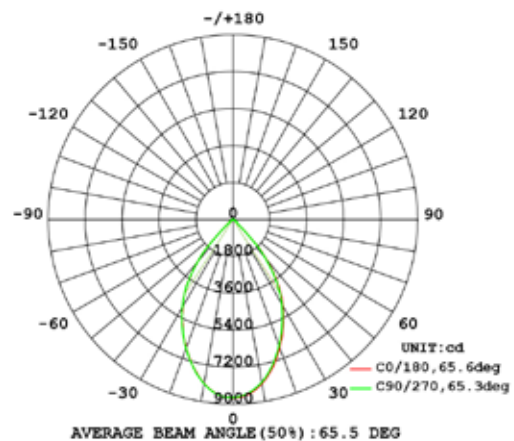
## PROFESSIONAL SERIE 100W

Model	Product number	Angle (degrees)	CCT (K)*	Ra	Power (W)	Lumen (Lm)	Weight (kg)	Ø Hole (mm)	Dimensions (mm)
1571	HB recessed - 100W 8 30	60	3000	80+	100	8800	2.56	Ø 250	Ø 270 x 197
1572	HB recessed - 100W 8 40	60	4000	80+	100	9200	2.56	Ø 250	Ø 270 x 197

### LED HIGH BAY 60W - 60° - 150mm



### LED HIGH BAY 100W - 60° - 250mm



\* Colour Temperature range is available in 2700-6500K, for more details please contact us

# LUXCOMB PORTABLE LED FLOODLIGHT 37-60W



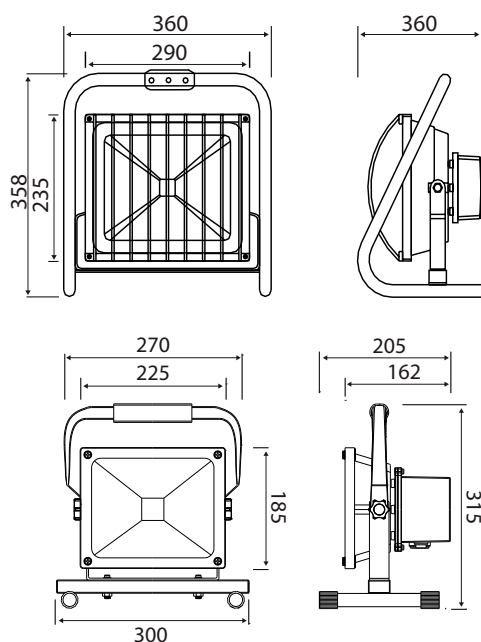
The LUXCOMB portable LED Floodlight IP65 is powerful, efficient, robust and easy to handle. It requires no maintenance and is suitable for difficult environments.

The reflector, the housing and aluminum radiator allow effective thermal conductivity. Power is provided either with an 8M cable for the 60W version or with a battery pack for the 37W version.

The portable Floodlight is mainly popular for usage at yards, emergency services, railway servicing, industrial maintenance, airports, campsites, garages, boats...

## SPECIFICATIONS

- IP65 / IP54 housing
- 60W version : 8m Cable with UK adaptor
- 37W version: Lithium-ion batterie
- 37W version: Power servo amplifier
- 37W version: Can be charged either by electrical outlet or 12V cigarette lighter socket
- Handle for transportation
- Resistant to shock and vibration
- Excellent energy saving
- Flicker free and instant full output lighting



### OPTIMAE SERIE

Model	Product number	Angle (degrees)	CCT (K)*	Ra	Power (W)	Lumen (Lm)	Weight (kg)	Dimensions (mm)
1900	FLST-CW7-AO0-060	160	5500	75+	60	5400	5,4	415x325x445
1901	FLST-CW7-AO0-037	160	5500	75+	37	3000	3,5	330x270x250

\* Colour Temperature range is available in 2700-6500K, for more details please contact us

# LUXCOMB LED FLOODLIGHT

## 10-100W

Constructed of high purity Aluminium casing and a polished Aluminium reflector complete with a frosted tempered glass cover manufactured to an IP65 rating, allowing the luminaire to be used in both harsh internal and external environments.

The High Power Bridgelux COB LED light engine and cutting edge driver technology give an expected lifetime of 50,000 hours ensuring the luminaire is virtually maintenance free. The luminaire's design makes it ideal for use as general external lighting, security lighting, domestic and commercial applications.

The luminaires can be supplied incorporating a PIR option to further reduce energy consumption, they can also be used in conjunction with external lighting controls where required.

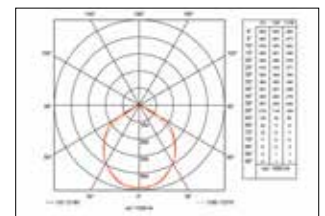
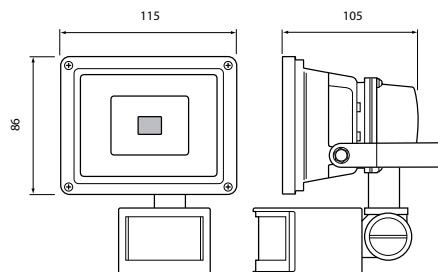
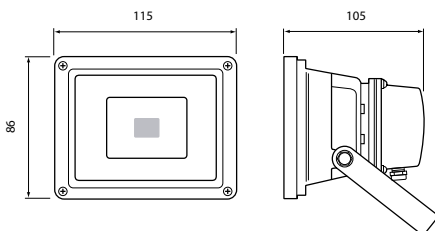


## SPECIFICATIONS

- Lifetime : LM70 50 000 hours
- Bridgelux COB LED high performance
- IP65 rated enclosure
- Voltage : 85 to 265V AC
- Available with optional silver or black Enclosure
- Frosted tempered glass cover
- Adjustable mounting bracket
- Resistant to shock and vibration
- Excellent energy saving
- Flicker free and instant full output lighting
- Operating temperature : -40 to 55 °C
- Photometric data and full lighting design service available



### ■ LED Floodlight 10W



10W

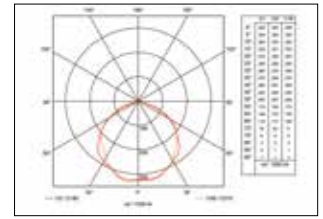
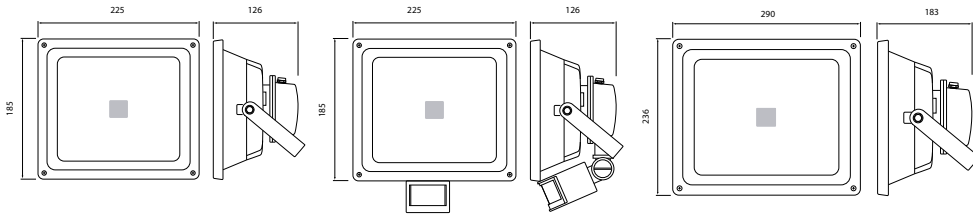


Additional model: Aluminium Floodlight LM6 marine grade, ideal for coastal areas.

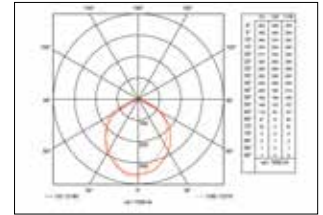


**IP65**

■ LED Floodlight 30-50W



30W

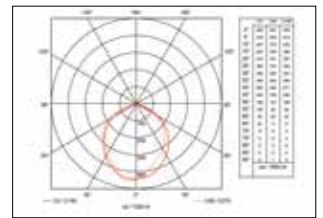
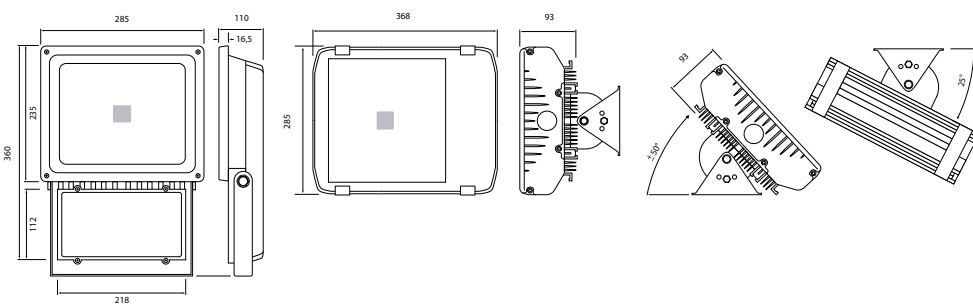


50W

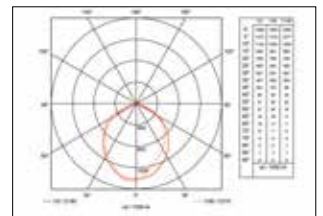


**IP65**

■ LED Floodlight 80-100W



80W



100W

## OPTIMAE SERIE

Model	Product number	Angle (degrees)	CCT (K)*	Ra	Power (W)	Lumen (Lm)	Weight (kg)	Dimensions (mm)
2110	SMLFL10840	120	4000	75+	10	900	0.53	115x86x105
2111	SMLFL10840P	120	4000	75+	10	900	0.90	115x86x105
2130	SMLFL30840	120	4000	75+	30	2700	2.40	225x185x126
2131	SMLFL30840P	120	4000	75+	30	2700	3.00	225x185x126
2150	SMLFL50840	120	4000	75+	50	4500	3.70	290x236x183
2151	SMLFL50840P	120	4000	75+	50	4500	4.80	290x236x183
2180	SMLFL80840	120	4000	75+	80	7200	6.40	360x285x110
2100	SMLFL100840	120	4000	75+	100	9000	7.80	368x285x93

(P) : PIR sensor

\* Colour Temperature range is available in 2700-6500K, for more details please contact us

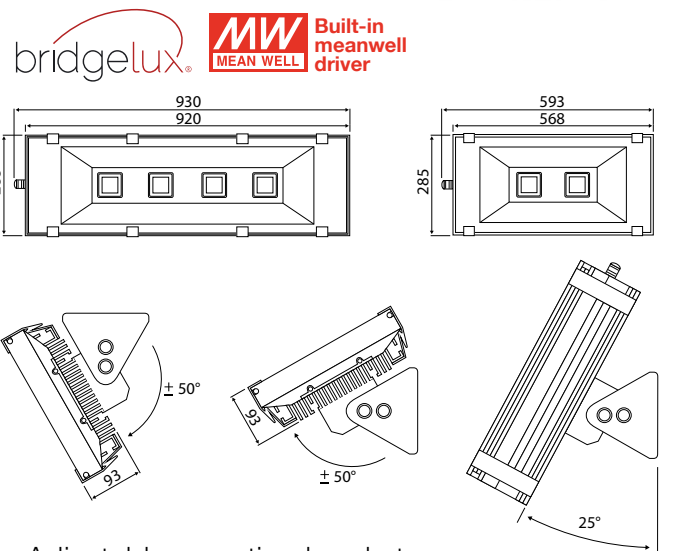
# LUXCOMB LED FLOODLIGHT 150-200W

**3<sup>(1)</sup>**  
**YEARS**  
WARRANTY

Constructed of high purity Aluminium casing and a polished Aluminium reflector complete with a frosted tempered glass cover manufactured to an IP65 rating, allowing the luminaire to be used in both harsh internal and external environments.

The High Power Bridgelux COB LED light engine and cutting edge driver technology give an expected lifetime of 50,000 hours ensuring the luminaire is virtually maintenance free. The luminaire's design makes it ideal for use as general external lighting, security lighting, domestic and commercial applications.

The luminaires can be supplied incorporating a PIR option to further reduce energy consumption, they can also be used in conjunction with external lighting controls where required.

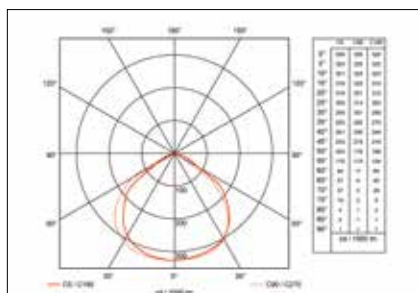


## SPECIFICATIONS

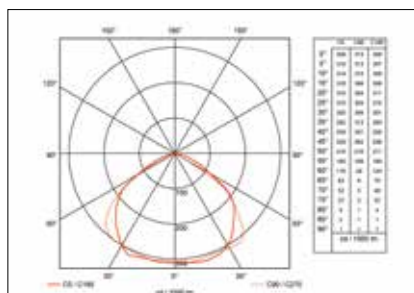
- 3 year warranty
- Bridgelux COB LED high performance
- Meanwell HLG-240H Driver Series with up to 94% efficiency
- IP65 rated enclosure
- Lifetime : LM70 50 000 hours
- Voltage : 85 to 265V AC
- Frosted tempered glass cover
- Available with optional silver or black Enclosure
- Adjustable mounting bracket
- Resistant to shock and vibration
- Excellent energy saving
- Flicker free and instant full output lighting
- Operating temperature : -40 to 55 °C
- Photometric data and full lighting design service available

## PERFORMANCE SERIE

Model	Product number	Angle (degrees)	CCT (K)*	Ra	Power (W)	Lumen (Lm)	Weight (kg)	Dimensions (mm)
2215	SMLFL150840	120	4000	75+	150	13500	11,44	600x285x93
2220	SMLFL200840	120	4000	75+	200	17500	18,68	930x285x93



LUXCOMB, 150W Floodlight 120 degrees



LUXCOMB, 200W Floodlight 120 degrees

\* Colour Temperature range is available in 2700-6500K, for more details please contact us

# LUXCOMB LED FLOODLIGHT 430W OPTICOMB Serie



[www.lumileds.com](http://www.lumileds.com)



**5**  
YEARS  
WARRANTY

**IP65**



**LUXEON Rebel ES** has built-in quality, reliability, lumen maintenance and the ease of manufacturing that create a superior high quality light. More information are available on the **Lumileds** website at [www.lumileds.com](http://www.lumileds.com)



LUXCOMB floodlight is ideal for applications where lighting is left on for long periods, while providing great energy saving benefits and long lamp operating hours. Opticomb 430W Floodlight suits residential, architectural and commercial projects. The Opticomb 430W LED Floodlight models offer extremely efficient operating costs, long lamp life and good Colour rendering.

## FEATURES

- Patented heat sink ensures efficient cooling and reduces weight in comparison to traditional heat sink
- Power Supply is on the side of the lamp to ensure low temperature for long lifespan of the product
- LED with 125 Lm/W of LUXEON LUMILEDS
- Driver can be easily replaced
- Weatherproof housing IP65
- High performance with Meanwell Driver with wide Voltage Input Range
- Wall, ceiling or surface mounting with wide range of adjustments for both down and up-lighting, with 3 points of adjustment on the bracket
- Also suitable for indoor use



## APPLICATION

- Area lighting : car parks, construction sites, industrial areas...
- Recreational/sports lighting : tennis courts, swimming pools...
- Decorative lighting: building facades...
- Stadium

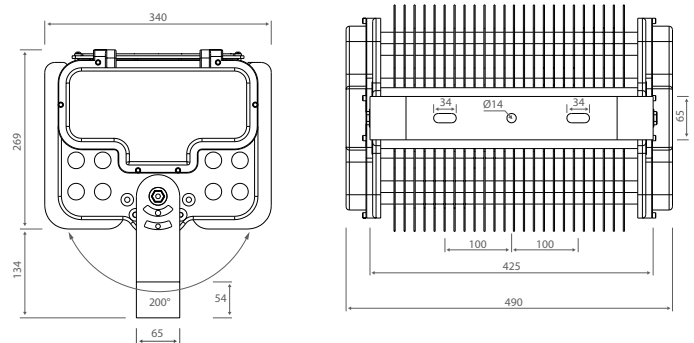
## OPTICS

- Providing IP65
- Great light uniformity : Thanks to the advance LED optical systems the fixture maximizes the utilization of light onto the target area, improving the uniformity of light.
- Colour temperature : LUXCOMB LED floodlight is provided with the of 3000~5000 Kelvin helping to enhance a building's exterior.
- Choice of optics : The Floodlight LED offers a choice of 4 different optical versions, all of them with a maximum system consumption of 430W : Narrow Spot 16°, Medium 28°, Wide Flood 48°

# SPECIFICATIONS

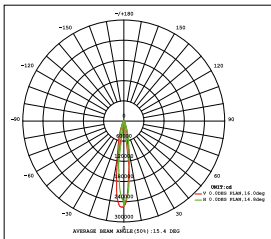
- 5 year warranty
- Power factor > 0.95
- LED Chip : PHILIPS LUXEON
- Meanwell Driver Brand
- Lumen Efficacy : 125 Lm/W
- Protection degree : Full IP65 (Isolated from the environment)
- Lifetime : LM70 100 000 hours (at 25°C)
- Voltage : 90-305VAC/50-60Hz
- Material : High Pressure die cast aluminum alloy + Glass
- Beam Angle : 16°, 28°, 48°
- Quantity of LEDs : 196 pcs
- Dimensions (mm) : 340x490x404
- Weight : 16kg
- Ambient temperature : -45°C to +60°C.
- Operating temperature : -45 to +45 °C
- Cable : silicon rubber cable for power input
- Resistant to shock and vibration
- Excellent energy saving
- Flicker free and instant full output lighting
- Photometric data and full lighting design service available

## DIMENSIONS

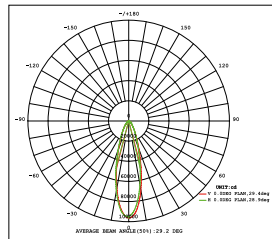


## PHOTOMETRIC DATA

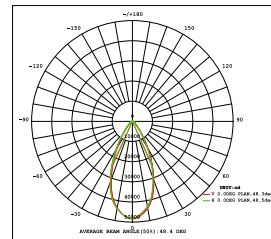
■ Beam Angle 16°



■ Beam Angle 28°



■ Beam Angle 48°



## PROFESSIONAL SERIE - OPTICOMB 430W

Model	Product number	Angle (degrees)	CCT (K)*	Ra	Power (W)	Lumen (Lm)	Weight (kg)	Dimensions (mm)
2304B	Opticomb 430W Lumiled - 16D 8 30&57	16°	4000	80	430	37000	16	340x486x404
2304E	Opticomb 430W Lumiled - 28D 8 30&57	28°	4000	80	430	37000	16	340x486x404
2304H	Opticomb 430W Lumiled - 48D 8 30&57	48°	4000	80	430	37000	16	340x486x404
2305B	Opticomb 430W Lumiled - 16D 8 30&57 - Dimmable	16°	3000 5700	82	430	37000	16	340x486x404
2305E	Opticomb 430W Lumiled - 28D 8 30&57 - Dimmable	28°	3000 5700	82	430	37000	16	340x486x404
2305H	Opticomb 430W Lumiled - 48D 8 30&57 - Dimmable	48°	3000 5700	82	430	37000	16	340x486x404

## OPTION

Model	Product number
2300	Dimmable commande box for 2305

\* Colour Temperature range is available in 2700-6500K, for more details please contact us

# LUXCOMB LED BULBS

## OPTIMAE Serie E14 - E27 - B22



LUXCOMB LED Bulbs combine warm light with a very long lifespan. Being perfect replacement for incandescent bulbs they save significant amount of energy, adding efficiency to its simple and elegant make.



## SPECIFICATIONS

- RA>80, for vibrant Colours
- Soft light without glare
- A more specific range of Colour temperature is available for a better Colour efficacy
- Same shape, size and light output as incandescent / halogen bulbs
- Instant Light output
- User Safe, the bulbs comply with CE / IEC standards and have a reliable electrical shock protection
- Long lifetime
- Unique heat dissipation system: high thermal conductivity Aluminum PCB + Aluminum mantle + outer shell of PC / PMMA
- Energy rating: A+
- Resistant to shock and vibration, maintenance free
- No flicker effect
- Reliable heat release, no UV and mercury: an ecological solution
- Easy installation

These new bulbs have been designed to offer the best light distribution and to provide a gain of 30 to 40% more Lumens in the comfort zone of the user, compared to a classic bulb.

3 finishing choices are available : black, white, silver.

### See test results below:

incandescent Bulb 75W : 33 Lm

Halogen Bulb 23W : 40 Lm

Classical LED Bulb : 42 Lm

**LUXCOMB 8W LED Bulb: 51 Lm**



## OPTIMAE SERIE - E14

Model	Product number	Angle (degrees)	CCT (K)*	Ra	Power (W)	Lumen (Lm)	Weight (g)	Dimensions (mm)
0001	E14-003-180-WW-TW0-0	180	3000	80	3	250	40	Ø 45x78
0004	E14-003-180-CW-TW0-0	180	5700	80	3	260	40	Ø 45x78
0007	E14-005-180-WW-TW0-0	180	3000	80	5	480	45	Ø 45x78
0010	E14-005-180-CW-TW0-0	180	5700	80	5	490	45	Ø 45x78

## OPTIMAE SERIE - E27

Model	Product number	Angle (degrees)	CCT (K)*	Ra	Power (W)	Lumen (Lm)	Weight (g)	Dimensions (mm)
0013	E27-005-180-WW-TW0-0	180	3000	80	5	470	85	Ø 60x107
0016	E27-005-180-CW-TW0-0	180	5700	80	5	480	85	Ø 60x107
0019	E27-008-180-WW-TW0-0	180	3000	80	8	810	90	Ø 60x107
0022	E27-008-180-CW-TW0-0	180	5700	80	8	830	90	Ø 60x107
0025	E27-011-180-WW-TW0-0	180	3000	80	11	1050	95	Ø 60x107
0028	E27-011-180-CW-TW0-0	180	5700	80	11	1080	95	Ø 60x107

## OPTIMAE SERIE - B22

Model	Product number	Angle (degrees)	CCT (K)*	Ra	Power (W)	Lumen (Lm)	Weight (g)	Dimensions (mm)
0031	B22-005-180-WW-TW0-0	180	3000	80	5	470	85	Ø 60x107
0034	B22-005-180-CW-TW0-0	180	5700	80	5	480	85	Ø 60x107
0037	B22-008-180-WW-TW0-0	180	3000	80	8	810	90	Ø 60x107
0040	B22-008-180-CW-TW0-0	180	5700	80	8	830	90	Ø 60x107
0043	B22-011-180-WW-TW0-0	180	3000	80	11	1050	95	Ø 60x107
0046	B22-011-180-CW-TW0-0	180	5700	80	11	1080	95	Ø 60x107

\* Colour Temperature range is available in 2700-6500K, for more details please contact us

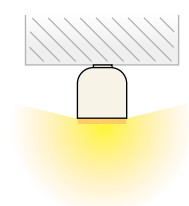
This table show the Equivalence for retrofit lamps following the EU Regulation 1194/2012		Kwh saving/year <sup>(1)</sup>
3W	▶ 25W	▶ 35 Kwh
5W	▶ 40W	▶ 55 Kwh
8W	▶ 60W	▶ 83 Kwh
11W	▶ 75W	▶ 102 Kwh

(1) this is based on 1600 hours usage by year ( based on and average of 4 hours and 25 minutes by day).

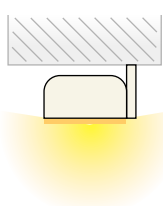
# LUXCOMB A LAMP FOR EVERY APPLICATION

The new LED technology provides the engineer and designer opportunities than incandescent and fluorescent not allowed. So we thought to current applications found on current projects and offer this range of lamps to better meet your needs and allow you to have optimal lighting!

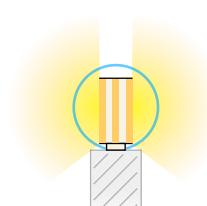
Before, recessed lights, wall or windows using reflectors to try to return a portion of the light that was against the wall or in the ceiling. Today, thanks to our LED models, 100% of the light is sent in the right direction without the use of reflectors.



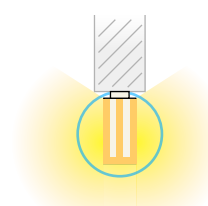
**Type IA**  
Directional lighting.  
Right lamp ceiling



**Type IB**  
Directional lighting.  
Lamp lying on the ceiling

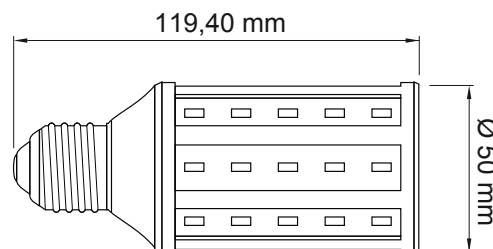


**Type IIA**  
Side lighting.  
lamp post



**Type IIB**  
Combined lateral and  
directional lighting

## LUXCOMB E27 LED BULBS 360°



### PROFESSIONAL SERIE - E27 TYPE IIA

Modèle	Références	Angle (degrés)	CCT (K)*	Ra	Puissance (W)	Lumen (Lm)	Dimensions (mm)	Poids (g)
0300	E27-IIA-12W-WW	360H	3000	83	12	1100	120x50	360
0301	E27-IIA-12W-PW	360H	4000	83	12	1050	120x50	360
0302	E27-IIA-12W-CW	360H	6000	83	12	1200	120x50	360

### PROFESSIONAL SERIE - E27 TYPE IIB

Modèle	Références	Angle (degrés)	CCT (K)*	Ra	Puissance (W)	Lumen (Lm)	Dimensions (mm)	Poids (g)
0305	E27-IIB-12W-WW	360H + TOP	3000	83	12	1100	120x50	360
0306	E27-IIB-12W-PW	360H + TOP	4000	83	12	1050	120x50	360
0307	E27-IIB-12W-CW	360H + TOP	6000	83	12	1200	120x50	360

\* Colour Teae range is available in 2700-6500K, for more details please contact us

# LUXCOMB DIRECTIONAL LED LAMPS (side, Ceiling or wall mount) G24 - E27 - RS7



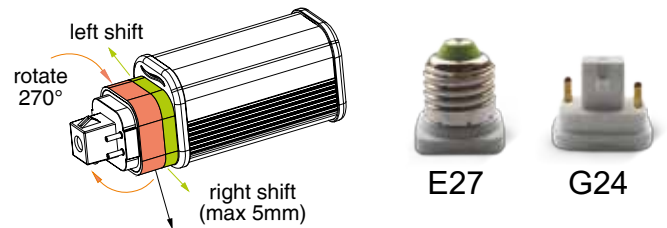
The LUXCOMB directional LED lamp is made to be fit into a E27 or G24 compact fluorescent socket. It is an excellent energy saver that will reduce your consumption.

This range of LED lamp are designed to be retrofitted into existing lighting fittings incorporating this style of lamp. For example Horizontal Downlight Style luminaires. The original fluorescent ballast must be bypassed and then this lamp is installed into the existing lampholder. We have had a lot of success with these lamps in hospitals, prison bed lamps, under cabinet lights and landscape step lights...

The 0390 model can bring a saving of over 90% depending on the existing lamp type.



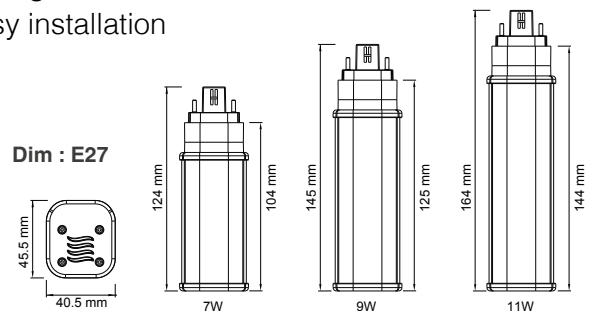
**The fluorescent ballast need to be removed !**



## SPECIFICATIONS

- 5 years Warrantly
- Power factor > 0.92
- Performance : 90 Lm/W\*
- LED Chip : SMD5630 / 0390 Lumileds
- Lifetime : LM70 50 000 hours
- Beam angle : 270 degree
- UL approval
- Voltage : 100-277V AC 50~60Hz
- Energy rating: A+
- No flicker effect

- Resistant to shock and vibration, maintenance free
- Reliable heat release, no UV and mercury: an ecological solution
- Easy installation



## PROFESSIONAL SERIE - TYPE IB

Model	Product number	Type	CCT (K)*	Ra	Power (W)	Lumen (Lm)	Dimensions (mm)	Weight (g)
0361	Lamp-side-120DG24-4000k-7w	G24	4000	80	7	630	124x41x46	146
0362	Lamp-side-120DG24-4000k-9w	G24	4000	80	9	820	145x41x46	175
0363	Lamp-side-120DG24-4000k-11w	G24	4000	80	11	1000	165x41x46	200
0371	Lamp-side-120DE27-4000k-7w	E27	4000	80	7	630	137x41x46	152
0372	Lamp-side-120DE27-4000k-9w	E27	4000	80	9	820	158x41x46	150
0373	Lamp-side-120DE27-4000k-11w	E27	4000	80	11	1000	176x41x46	204
0390	RS7-118-15W-PW	RS7	4000	83	15	1620	118x55x38	150

\* Colour Teae range is available in 2700-6500K, for more details please contact us



# LUXCOMB LED GU10/MR16

**3/5**  
YEARS  
WARRANTY



**88%**  
energy savings

**6W** equivalent  
to a 50W/12V  
halogen lamp

**Reduced**  
maintenance  
costs

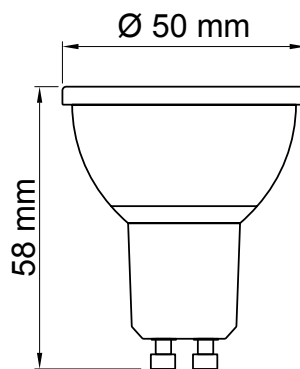
Lifetime, **20 times**  
longer than a halogen  
lamp 50W/12V

**Quick and**  
**easy**  
installation

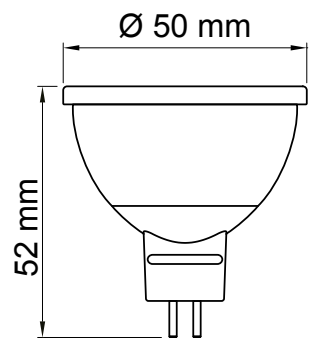
Direct replacement  
for halogen versions  
**without modification**  
of the installation

## SPECIFICATIONS

- User Safe, the bulbs comply with CE / IEC standards and have a reliable electrical shock protection
- Die Cast Aluminum Heat Sink and a special heat conductive plastic shell for efficient heat dissipation (following the model)
- Energy efficient LED COB technology
- Resistant to shock and vibration, maintenance free
- No flicker effect



**GU10**



**MR16**

## PROFESSIONAL SERIE

Model	Product number	Type	Angle (degrees)	CCT (K)*	Ra	Power (W)	Lumen (Lm)
0400	GU10-WW-HC0-005-30-1	GU10	30	2700	80	5	450
0401	GU10-WW-HC0-005-60-1	GU10	60	2700	80	5	450
0411	GU10-PW-HC0-005-60-1	GU10	60	4000	80	5	470
0402	MR16-WW-HC0-005-30-1	MR16	30	2700	80	5	430
0403	MR16-WW-HC0-005-60-1	MR16	60	2700	80	5	430
0413	MR16-PW-HC0-005-60-1	MR16	60	4000	80	5	450
0420	GU10-WW-HC0-006-30-2	GU10	30	2700	80	6	550
0421	GU10-WW-HC0-006-60-2	GU10	60	2700	80	6	550
0433	MR16-PW-HC0-006-60-0	MR16	60	4000	80	6	530

## LUXCOMB glass GU10/MR16

To comply with architectural challenges of many facilities, we developed the GU10 and MR16 glass versions. These LED Spots have the same dimensions as MR16/GU10 halogen versions 20 and 50 W. The LED 3 and 5W glass Spots are perfect alternatives in order to generate significant energy savings.



## GLASS SERIE

Model	Product number	Type	Angle (degrees)	CCT (K)*	Ra	Power (W)	Lumen (Lm)
0406	GU10-WW-LC0-003-38-2	GU10	38	3000	80	3	250
0407	GU10-WW-LC0-005-38-2	GU10	38	3000	80	5	400
0408	MR16-WW-LC0-003-38-2	MR16	38	3000	80	3	270
0409	MR16-WW-LC0-005-38-2	MR16	38	3000	80	5	420

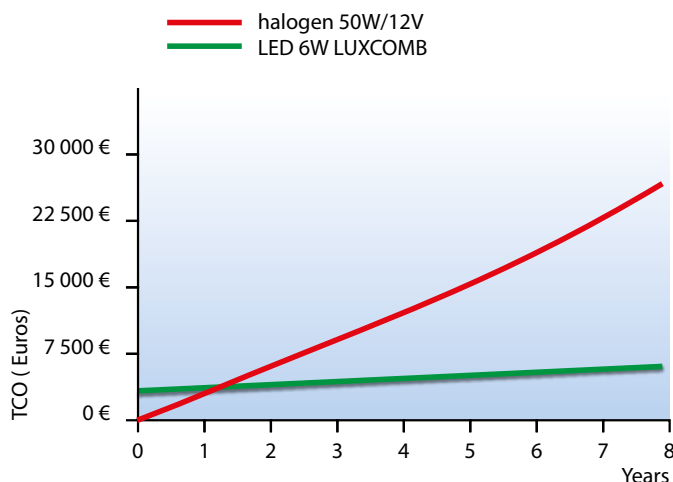
### EXAMPLE OF REPLACING A HALOGEN BULB 50W/12V FOR 280 PIECES

Price per kWh: € 0.10 on the basis of 2200h / year (8h/day 5/7days)

Example Store France  
280 bulbs - 400 m<sup>2</sup> - 2200 h/year

A saving of 370€  
over the lifetime of the product.

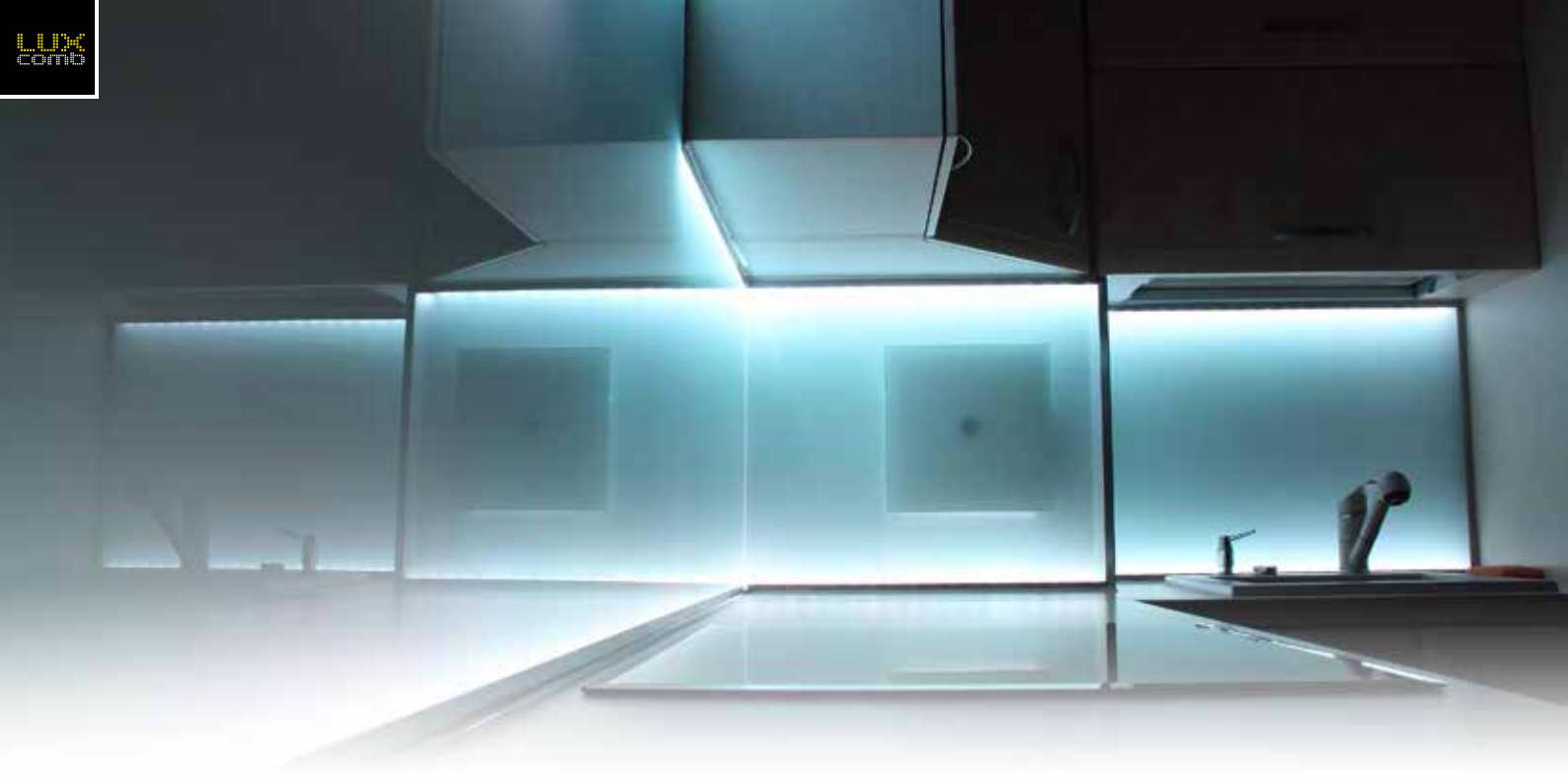
#### Return on investment in 15 months



	Halogen 50W/12V	LED 6W LUXCOMB
Power consumed (W)	50	6
Public price bulb (€)	4,00	16,00
Lifetime (hours)	2 000	40 000
Energy cost a year (€)	15,60	1,87
Maintenance cost a year (€)	6,00	0,00
Total cost a year (€)	21,60	1,87
Global economy a year (€)		<b>19,73</b>
<b>Global economy on luminaire lifetime (€)</b>		<b>370,00</b>

Please find all our models on [www.LUXCOMB.com](http://www.LUXCOMB.com)

\* Colour Temperature range is available in 2700-6500K, for more details please contact us



# LUXCOMB LED STRIPS

The Led Strips can be assembled by soldering and they can be cut every 5 centimeters/every 3 LEDs. These LED Strips of high quality will be appreciated by all professional developers and individuals, looking for superior selection.



## 2 POWER MODELS

- 4,8 W/meter - 2835 - 60 pcs/meter
- 14,4 W/meter - 5050 - 60 pcs/meter

## 3 PROTECTION DEGREES

- IP20 for interior
- IP65 for humid areas – outdoor protection
- IP67 (silicon tube) fitted for exposure to rain

## 2 LENGTHS AVAILABLE

- 3 meters
- 5 meters

## 2 COLOURS

- 2700 K (other Colours available on request)
- RGB (with remote control)

## 2 PACKAGING OPTIONS

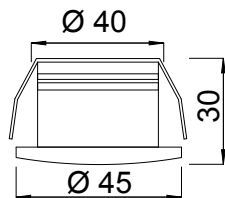
- Strip only
- Strip with its driver AC 220-240V

The LED Strips are sold in blister packing with 2 additional connectors allowing cutting the ribbon at different points and using the connectors to link the Strips to the LED driver.

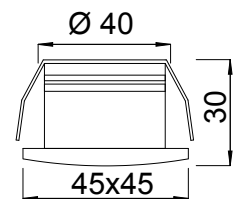


Product number	
RUBA- <b>PIL-CB</b> (ex: RUBA-L55-R2)	<b>P</b> Power models : <b>L</b> (4,8) - <b>M</b> (14,4) <b>I</b> Protection degrees : <b>2</b> (IP20) - <b>5</b> (IP65) - <b>7</b> (IP67) <b>L</b> Lengths available : <b>3</b> (3 meters) - <b>5</b> (5 meters) <b>C</b> Colours : <b>2</b> (2700K) - <b>R</b> (RGB) <b>B</b> Packagin options : <b>0</b> (Strip only) - <b>2</b> (Strip with its driver LED AC 220-240V)

# LUXCOMB FIXED RECESSED LED SPOT 3W



■ model 0600

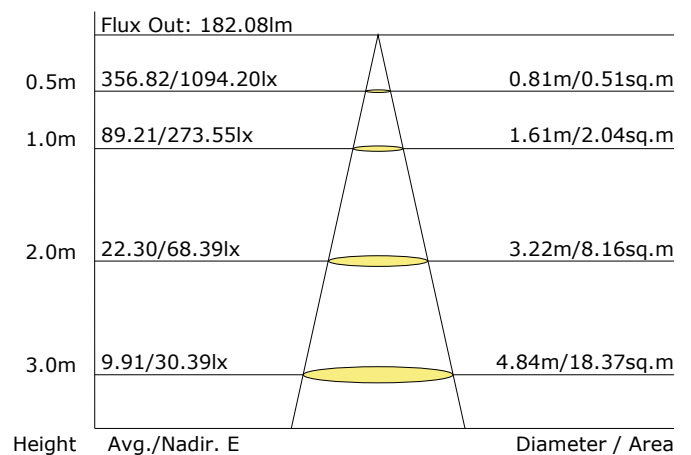


■ model 0601

LUXCOMB fixed recessed LED Spot 3W makes a stylish choice in various environments from stores to libraries. These completely aluminum painted LED Spots easily meet the challenge of giving the atmosphere either antique or modern looks.

It is an accessory of choice for all indoor architects and individuals. Their characteristics: 210lm - RA 80 and a beam-angle of 50°, allow to value distinctively any object or decoration.

The Average Illuminance Effective Figure



## OPTIMAE SERIE

Model	Product number	Angle (degrees)	CCT (K)*	Ra	Power (W)	Lumen (Lm)
0600	DECO-WW8-IW0	50	2700	80	3	210
0601	DECO-WW8-IW1	50	2700	80	3	210

\* Colour Temperature range is available in 2700-6500K, for more details please contact us

# LUXCOMB DESIGN OFFICE

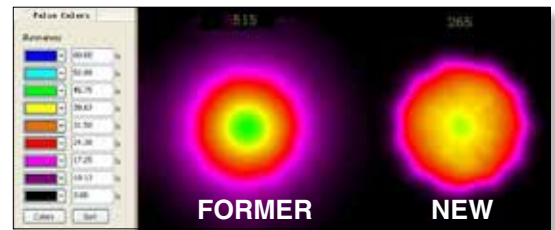
The motto of effective work is “inspirational workplace means work inspired”.



**A** Driven by our passion of creating “inspirational light for better performance” we dedicated our LUXCOMB Design Office Line to provide the true source of light for any workplace.

As seen in the example of an improved reflector of 90 degrees, the optimized reflector gives a better light uniformity.

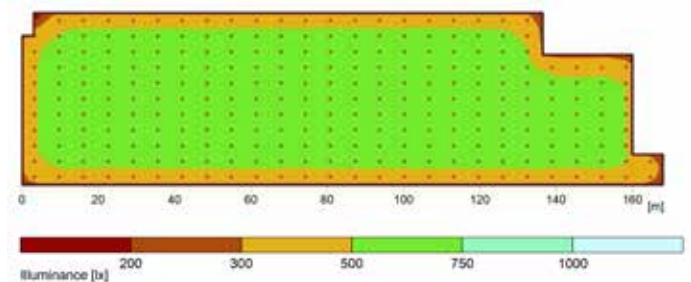
Thanks to the better light distribution the number of installed High Bay Lights can be reduced while having better homogeneous light.



## B Lighting Simulations



An installation of 264pcs High Bay Lights 200 Watts in a production center, 160x45M, with the requirement of 500 lx.



## C High Power solutions above 200W

Stadiums, golf courses, sport centers, administrative buildings are in project phase. We developed powers of **200 to 1000 W** with **Beam-angles of 5, 10, 30 and 60 degrees**.

For these special models we are in partnership with world-renowned Brands like CREE, Philips LUXEON and MEAN WELL.

For more information, please visit our website.





# SOME REFERENCES LUXCOMB



**Product:** 1521 (HIGH BAY 150W)  
**Quantity:** 561 pcs  
**Saving:** 784 MWh/Year  
**62% saving and 349 Tons of CO<sub>2</sub>/year**  
 Electrical Contrat (include lighting) > 1,000,000 USD

## 1 WAREHOUSE

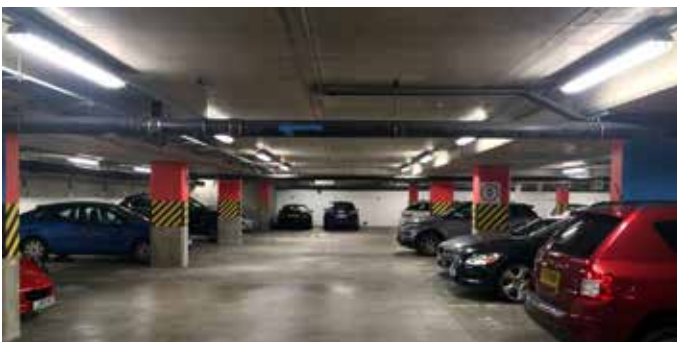
For the construction of this new warehouse, our client requested to have the most efficient lighting solution possible. We specified the LUXCOMB professional LED highbay, compatible with a High Bay PIR that allows to detect presence, and dim to 10% when the area is unoccupied. 2/3 of the Highbay were installed in to a multi temperature chiller. Due to the energy efficient nature of this project, the electrical infrastructure requirements for the LED lighting solution were much less than the traditional lighting solution. This in turn made the LED option almost like for like against the traditional solution.



**Product:** 1413 (Windsor Ceiling)  
**Quantity:** 20,000 pcs/3 years  
**Saving for 2013: 85% saving**

## 2 BATHROOM

At LUX LIVE 2013 in London, a private social owner selected our Windsor ceiling luminaire for their 3 year rolling campaign to refurbish all of the bathrooms in their properties. In order to implement this change, they selected the LUXCOMB luminaire to introduce a better light output and to also save on GWh of electricity per YEAR in their entire property portfolio.



**Product:** 1008 (LED T tube)  
**Installation:** Bridgewater Place Underground Car Park  
**Saving for 2013: 164,407 kWh**  
 (253,760 kwh before and 89,352 kWh after)  
**64% saving. Quick Year Payback.**

## 3 CAR PARK

May 2013, a car park chose to replace the traditional T8 Fittings with new fitting incorporating the T8 LED tube. The facilities management team of the client performed a test of several manufacturers and they chose to replace the 650 tubes with the LUXCOMB T8 LED.





**Product:** 1450 to 1455 (spot 3 in 1 serie)  
**Quantity:** 50,000 pcs/year

## 4 HOUSE

In Early 2012 we secured a contract with a leading house builder (featured in the FTSE 250 Index). The builders' goal was to make the house more efficient and therefore more appealing to their customer. After close collaboration, the SPOT 3 in 1 series was specified and installed in every new house including in bathrooms utilizing the IP4-X version.



**Product:** 1007 (LED T8 TUBE), 1520 (High bay 150W) and 1201 (downlight)  
**Installation:** Childrens Play Area  
**Saving for 2013: 69,124 kWh**  
 (87,000 kWh before and 19,000 kWh after)  
**Near 75% saving.** Amazing year payback.

## 5 CHILDRENS PLAY AREA

The owner of this childrens play area was amazed to discover she could reduce her bill by so much and also able to save of 30 tons of carbon emissions (CO<sub>2</sub>).



**Product:** 1521 (HIGHBAY)  
**Installation:** A Production Facility  
**Saving for 2013: 1,8 GWh/Year**  
 (3,456,491 kWh before and 1,617,494 kWh after)  
**53% saving and 840 Tons of CO<sub>2</sub>/year**

## 6 PRODUCTION FACILITY

Faced with an insufficient light level issue, primarily due to a dated 400 watt Metal Halide Highbay infrastructure which was operating at a highly degraded lumen output, coupled with a number of failed fittings, the client chose to replace with the LUXCOMB 150W LED HIGH BAY. The LED High Bay gives a much better quality of light for use in this production environment. Within the storage areas we also incorporated sensors to switch the racked areas off when unoccupied.





**Product:** 1177 (LED PANEL)  
**Installation:** A High Street Drug Store with 2450 stores

## 7 SHOP

After the exhibition in London 2013, the facility team of a famous drug store selected different manufacturers of LED PANEL for in-house testing and evaluation. Our LUXCOMB PANEL won the competition and was selected for all the new and refurbished stores.



**Product:** 1160 (LED PANEL) and 2100 (FLOOD LIGHT)  
**Installation:** Office and External Lighting  
**Saving for 2013: 20,000 kWh**  
 (29,000 kWh before and 9,000 kWh after)  
**68% saving.**

## 8 OFFICE AND WAREHOUSE

Externally the traditional 250W Fittings have been replaced with 100W LED fixtures, achieving an energy reduction of 60% in these areas. Lamp replacement of the traditional 250W Metal Halide Flood Lighting proved costly due to the access equipment required to gain access to change the lamp.

In the office areas, LED panels have replaced the traditional 4x18W 600x600 Fittings in the office, giving a more aesthetically pleasing finish and also a greater quality of light.





# Discover LUXCOMB at the 2014 international exhibitions



## LUXCOMB AT A GLANCE

Functional techniques to facilitate creative design. Ingenious methods to simplify the achievements of specifications and requirements.

Innovation, Research and Development of renewable energy sources and energy efficient technologies..

Robust processes to reduce costs and accelerate installation time.

Partnerships with world leader manufacturers.

Access to the complete online catalogue, order more, easier and faster.

Consultations and dedicated technical support for you, your team and your customers.

### YOUR SALES POINT

**Tel +33 (0)3 81 95 22 22**  
**Fax +33 (0)3 81 95 15 30**  
**uk@luxcomb.com**

Other countries : [www.luxcomb.com](http://www.luxcomb.com)

Please contact our distributors and partners for technical assistance:

**FRANCE**  
06, Imp Edouard belin  
25400 Exincourt  
FRANCE  
[france@luxcomb.com](mailto:france@luxcomb.com)

**BELGIQUE**  
Avenue de Visé 109  
B-1170 Bruxelles  
BELGIQUE  
[belgique@luxcomb.com](mailto:belgique@luxcomb.com)

**UNITED KINGDOM**  
Haydock Industrial Estate  
Haydock, Merseyside  
WA11 9XN, ENGLAND  
[uk@LUXCOMB.com](mailto:uk@LUXCOMB.com)

Distributeur



[www.luxcomb.com](http://www.luxcomb.com)

